

Ryttons A1® Fire-rated Return Grille 250mm x 109mm with 195mm x 50mm Spigot
Compatible with 204mm x 60mm ducting
Custom RAL colour in matt, semi-gloss or gloss finish achieving Class A2-s1, d0
RAL2008 (Bright red orange) finish pictured
Patent Approved
Product Code: A1RDLV204X60



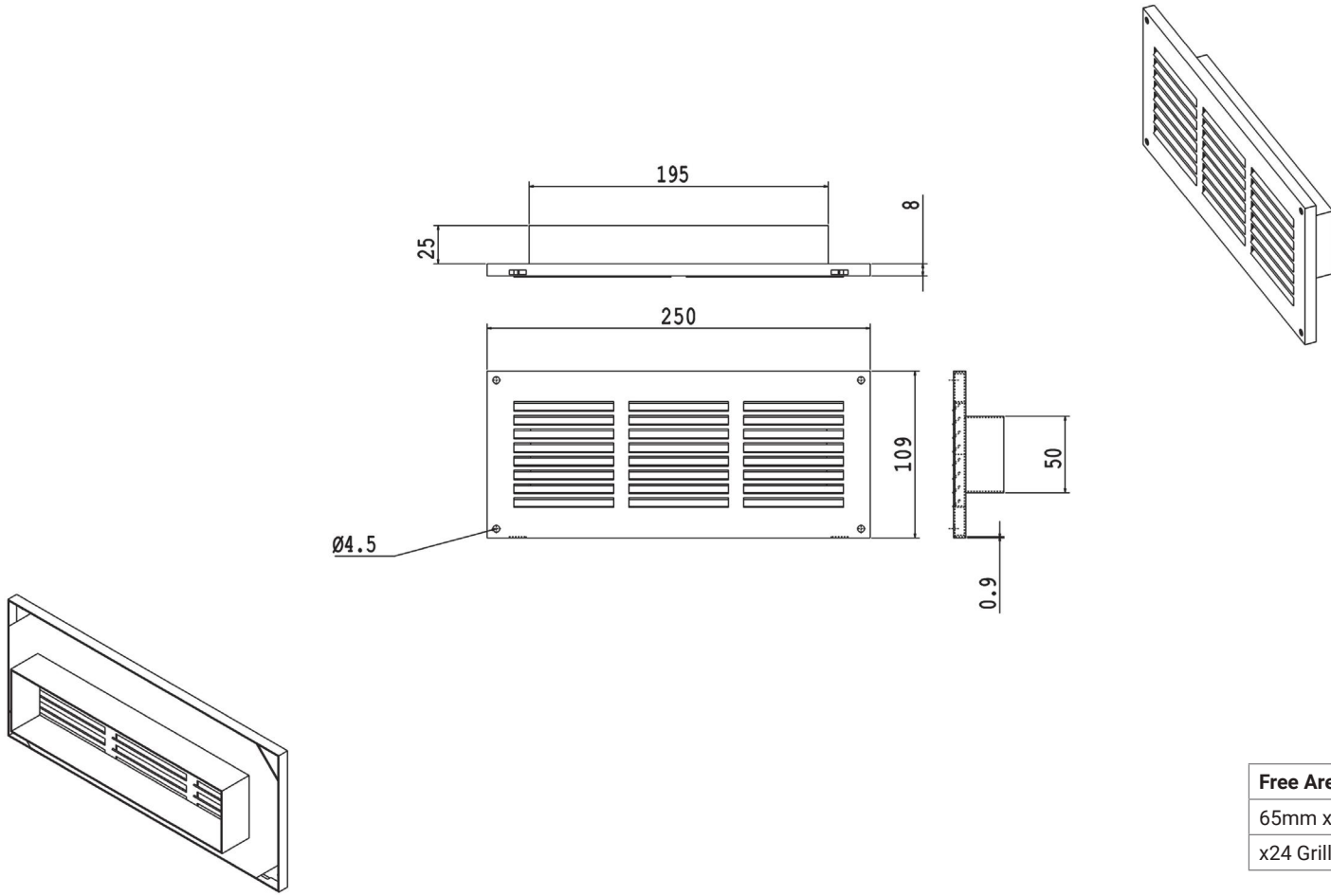
**MADE IN
BRITAIN**



EUROPEAN CLASSIFICATION A1
— NON-COMBUSTIBLE . FIRE SAFE —

DO NOT SCALE

Rytons A1® Fire-rated Return Grille 250mm x 109mm with 195mm x 50mm Spigot



Free Area Calculation
65mm x 8mm Return Grille = 520mm ²
x24 Grilles = 12,480mm ²



Rytons A1® Fire-rated Return Grille 250mm x 109mm with 195mm x 50mm Spigot

- Drawings are not to scale • Dimensions are in mm
- Products are hand made and have a tolerance of +/- 5%

Product Code:
A1RDLV204X60

Free Area:
12,480mm²

Patent Approved

V1



Intellectual property of Rytons Building Products Ltd. Not to be copied, distributed or reproduced without Rytons written agreement. In case of query email admin@rytons.com.

