

Ryttons A1® Fire-rated Ducting Kit 204mm x 60mm with Return Grille Triple Soldier Air Brick Flanged  
Custom RAL colour air brick in matt, semi-gloss or gloss finish achieving Class A2-s1, d0  
RAL2002 (Vermilion) finish pictured  
Registered Design 6180114  
Patent Approved  
Product Code: A1DK204X60RGTSF



**MADE IN BRITAIN**

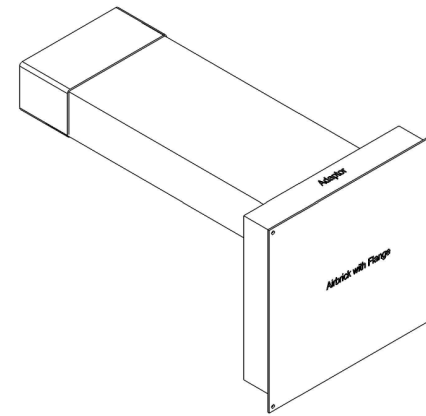
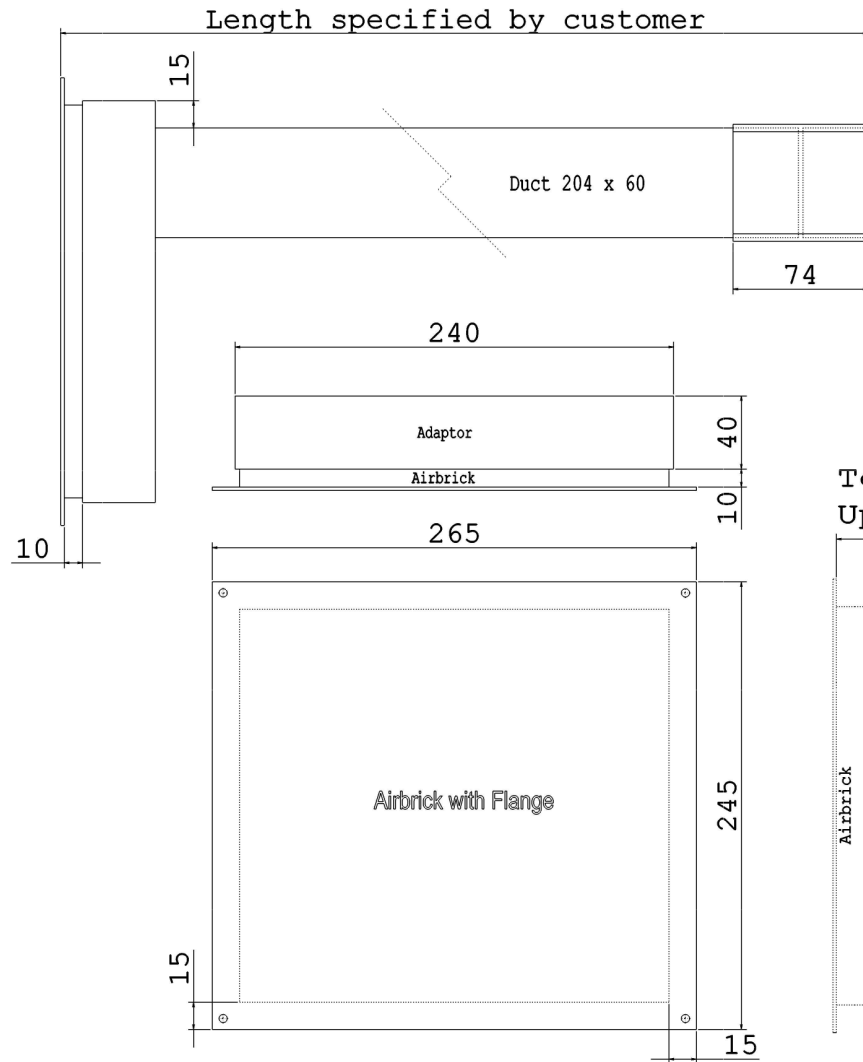


**EUROPEAN CLASSIFICATION A1**  
— NON-COMBUSTIBLE . FIRE SAFE —



DO NOT SCALE

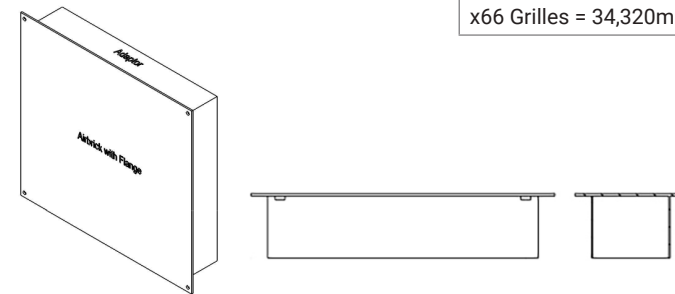
Rytons A1® Fire-rated Ducting Kit 204mm x 60mm with Return Grille Triple Soldier Air Brick Flanged



Telescopic  
Up to an extra 30mm



| Free Area Calculation                         |
|---|
| 65mm x 8mm Return Grille = 520mm <sup>2</sup> |
| x66 Grilles = 34,320mm <sup>2</sup>           |



Rytons A1® Fire-rated Ducting Kit 204mm x 60mm with Return Grille Triple Soldier Air Brick Flanged

- Drawings are not to scale
- Dimensions are in mm
- Products are hand made and have a tolerance of +/- 5%

Product Code: A1DK204X60RGTSF

Return Grille Triple Soldier Air Brick Flanged 34,320mm<sup>2</sup> free area (> 90% of the duct)

Registered Design 6180114 Patent Approved

V4i



Intellectual property of Rytons Building Products Ltd. Not to be copied, distributed or reproduced without Rytons written agreement. In case of query email admin@rytons.com.

