

Rytons A1® Fire-rated S-Shape Ducting Kit 220mm x 90mm with FlowRyt® Double Air Brick  
Custom RAL colour air brick in matt, semi-gloss or gloss finish achieving Class A2-s1, d0  
RAL8004 (Copper brown) matt finish pictured  
Registered Design 6087686  
Patent Approved  
Product Code: A1SSDK220X90FRD

**RYTONS**  
www.vents.co.uk  
*A Family Business*  
*Since 1972*



**MADE IN  
BRITAIN**

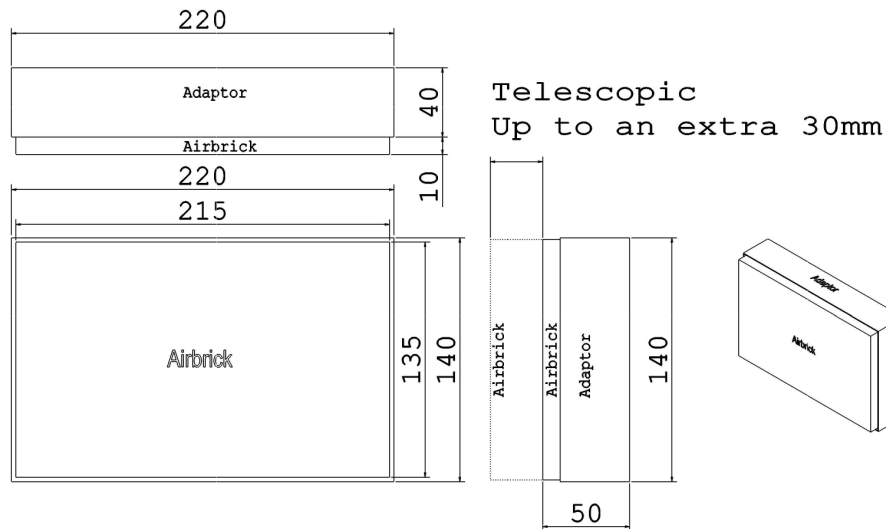
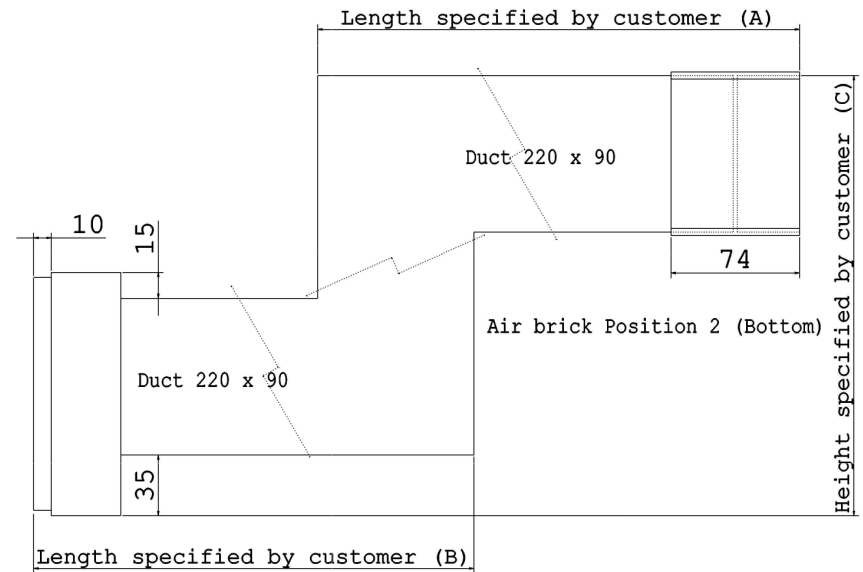
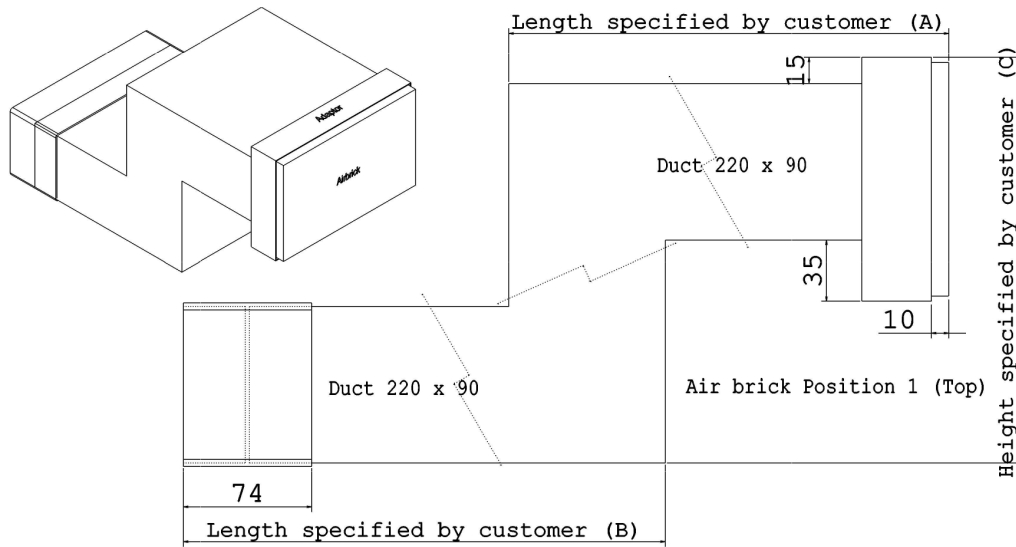


**EUROPEAN CLASSIFICATION A1**  
— NON-COMBUSTIBLE . FIRE SAFE —

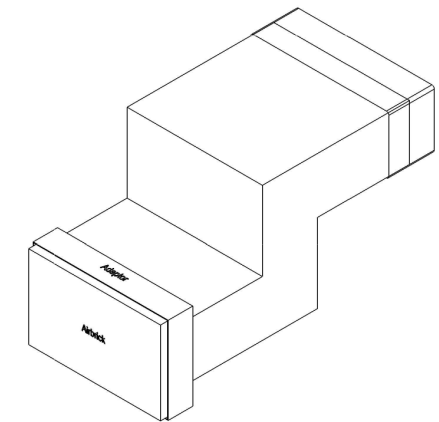


DO NOT SCALE

Rytons A1® Fire-rated S-Shape Ducting Kit 220mm x 90mm with FlowRyt® Double Air Brick



**Free Area Calculation**  
 100mm x 10mm FlowRyt® Grille = 1,000mm<sup>2</sup>  
 x18 Grilles = 18,000mm<sup>2</sup>



Rytons A1® Fire-rated S-Shape Ducting Kit 220mm x 90mm with FlowRyt® Double Air Brick

• Drawings are not to scale • Dimensions are in mm  
 • Products are hand made and have a tolerance of +/- 5%

Product Code:  
 A1SSDK220X90FRD

FlowRyt® Double Air Brick  
 18,000mm<sup>2</sup> free area (>90% of the duct)

Registered Design 6087686  
 Patent Approved

V6i



Intellectual property of Rytons Building Products Ltd. Not to be copied, distributed or reproduced without Rytons written agreement. In case of query email admin@rytons.com.

