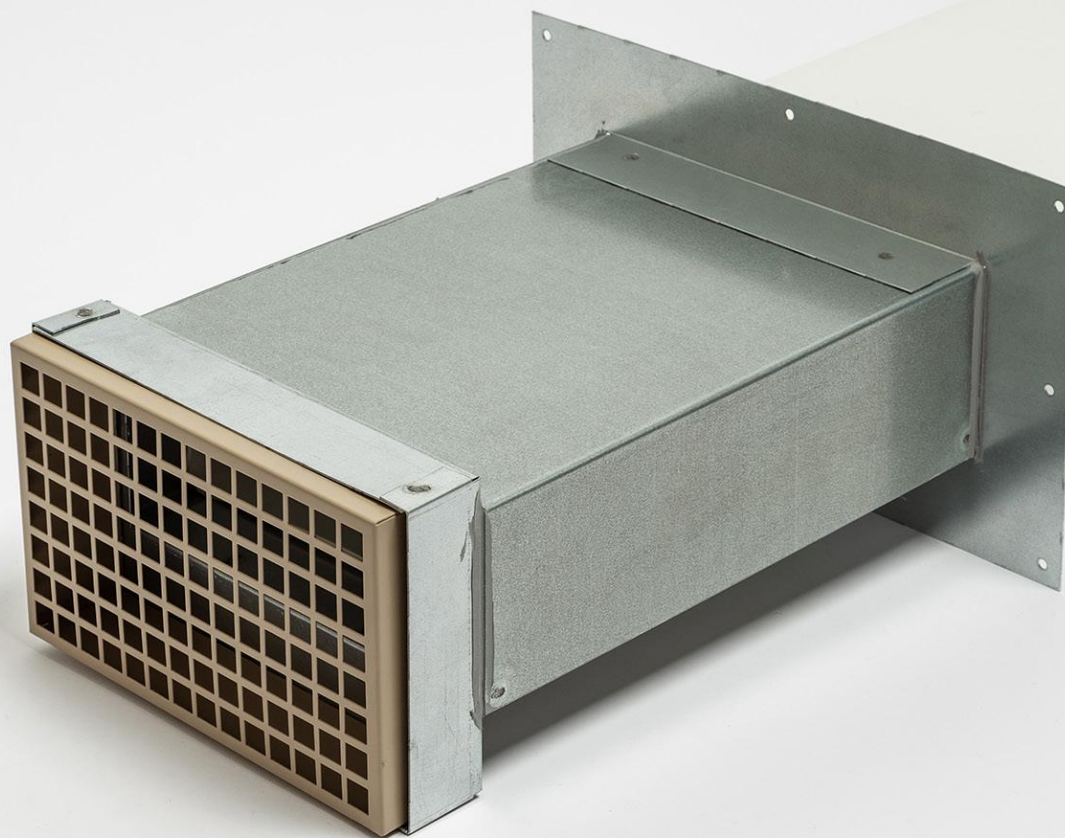


Ryttons A1® Fire-rated Retrofit Ducting Kit 220mm x 90mm with Square Holed Double Air Brick
Custom RAL colour air brick in matt, semi-gloss or gloss finish achieving Class A2-s1, d0
RAL1019 (Grey beige) matt finish pictured
Registered Design 6085480
Patent Approved
Product Code: A1RFDK220X90SQD



MADE IN BRITAIN

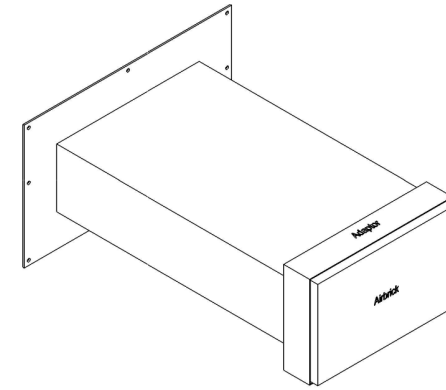
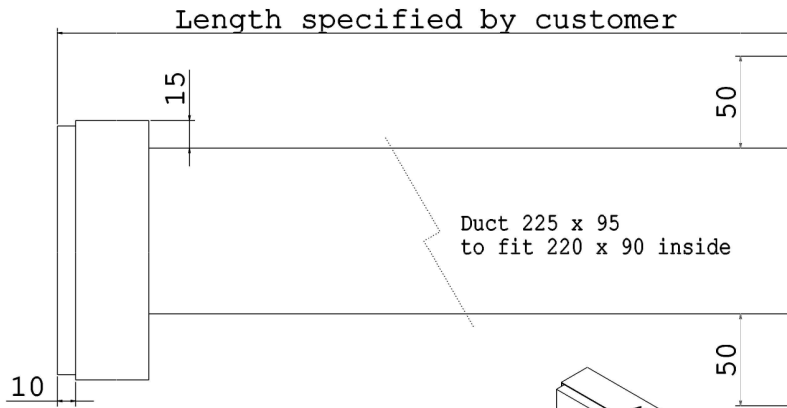


EUROPEAN CLASSIFICATION A1
— NON-COMBUSTIBLE . FIRE SAFE —

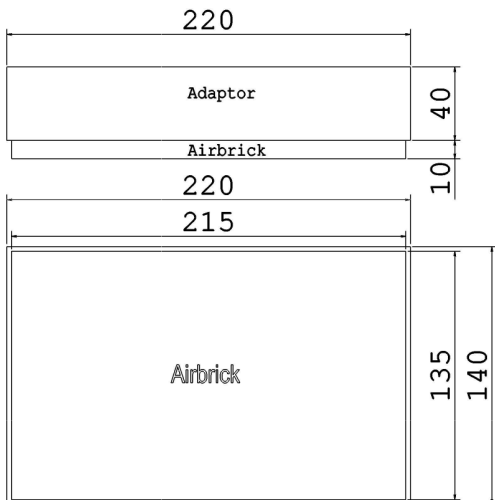


DO NOT SCALE

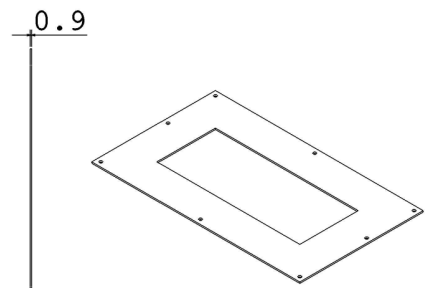
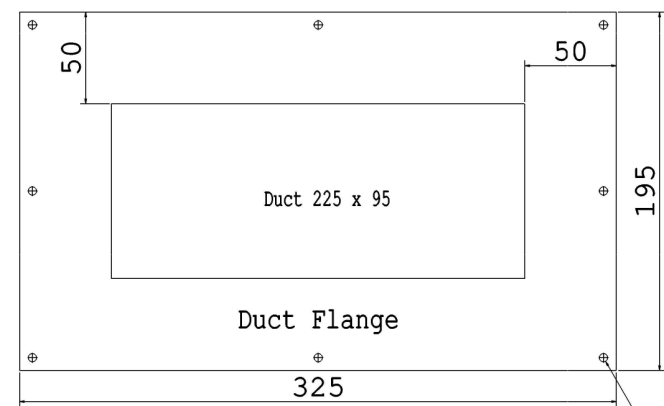
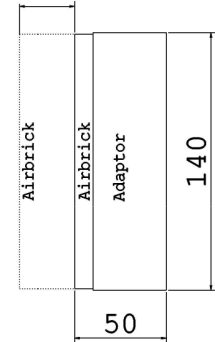
Rytons A1® Fire-rated Retrofit Ducting Kit 220mm x 90mm with Square Holed Double Air Brick



Free Area Calculation	
12.7mm x 12.7mm Square Hole	= 161.29mm ²
x112 Holes	= 18,064.48mm ²



Telescopic
Up to an
extra 30mm



8 x Screw Holes



Rytons A1® Fire-rated Retrofit Ducting Kit 220mm x 90mm with Square Holed Double Air Brick

- Drawings are not to scale
- Dimensions are in mm
- Products are hand made and have a tolerance of +/- 5%

Product Code: A1RFDK220X90SQD

Square Holed Double Air Brick
18,064mm² free area (> 90% of the duct)

Registered Design 6085480
Patent Approved

V4i



Intellectual property of Rytons Building Products Ltd. Not to be copied, distributed or reproduced without Rytons written agreement. In case of query email admin@rytons.com.

