

Ryttons A1® Fire-rated Retrofit Ducting Kit 220mm x 90mm with FlowRyt® Double Air Brick
Custom RAL colour air brick in matt, semi-gloss or gloss finish achieving Class A2-s1, d0
RAL1019 (Grey beige) matt finish pictured
Registered Design 6085480
Patent Approved
Product Code: A1RFDK220X90FRD



**MADE IN
BRITAIN**

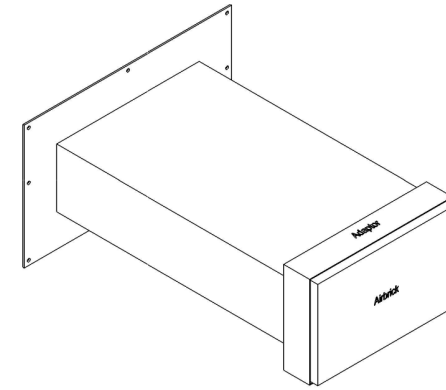
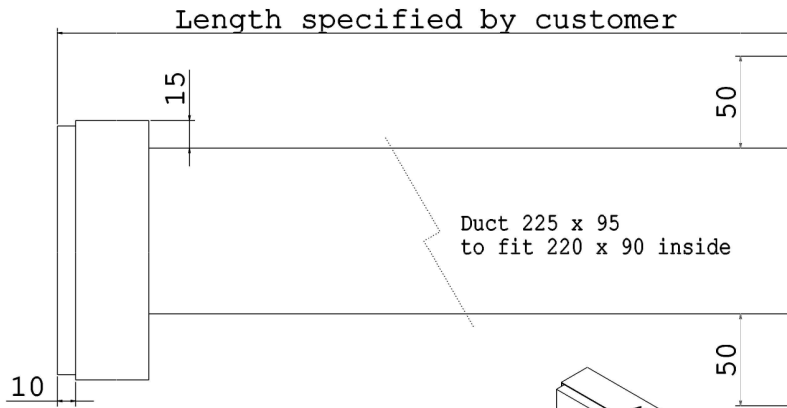


EUROPEAN CLASSIFICATION A1
— NON-COMBUSTIBLE . FIRE SAFE —

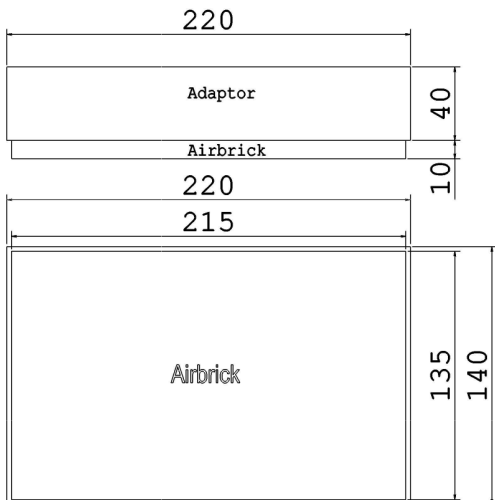


DO NOT SCALE

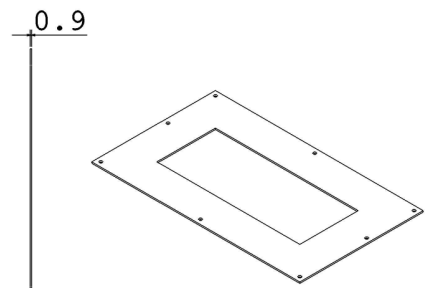
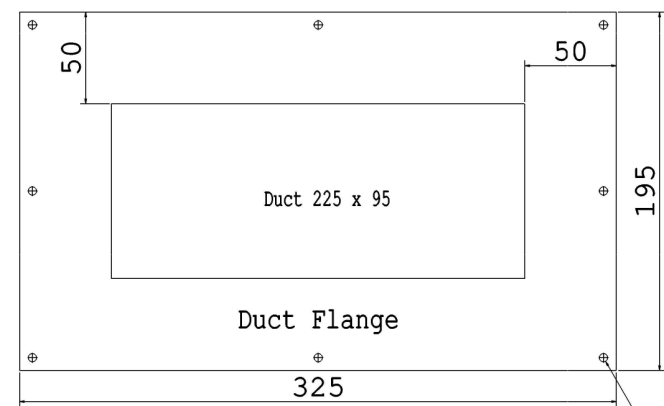
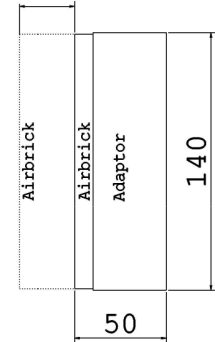
Rytons A1® Fire-rated Retrofit Ducting Kit 220mm x 90mm with FlowRyt® Double Air Brick



Free Area Calculation
100mm x 10mm FlowRyt® Grille = 1,000mm ²
x18 Grilles = 18,000mm ²



Telescopic
Up to an
extra 30mm



8 x Screw Holes



Rytons A1® Fire-rated Retrofit Ducting Kit 220mm x 90mm with FlowRyt® Double Air Brick

- Drawings are not to scale
- Dimensions are in mm
- Products are hand made and have a tolerance of +/- 5%

Product Code: A1RFDK220X90FRD

FlowRyt® Double Air Brick
18,000mm² free area (> 90% of the duct)

Registered Design 6085480
Patent Approved

V4i



Intellectual property of Rytons Building Products Ltd. Not to be copied, distributed or reproduced without Rytons written agreement. In case of query email admin@rytons.com.