

Ryttons A1® Fire-rated Retrofit 90° Ducting Kit 220mm x 90mm with Return Grille Double Air Brick Flanged
Custom RAL colour air brick in matt, semi-gloss or gloss finish achieving Class A2-s1, d0
RAL1019 (Grey beige) matt finish pictured
Registered Design 6085477
Patent Approved
Product Code: A1RF90DK220X90RGDF

RYTTONS
www.vents.co.uk
A Family Business
Since 1972



MADE IN BRITAIN

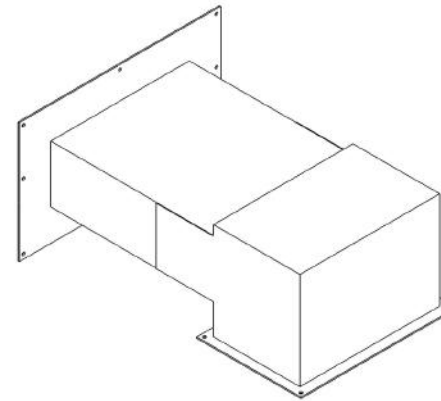
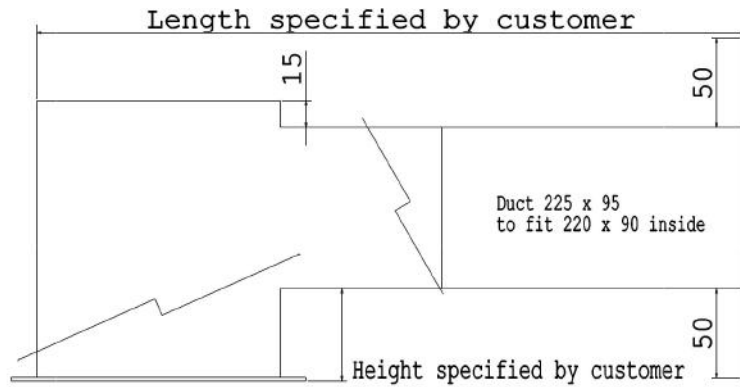


EUROPEAN CLASSIFICATION A1
— NON-COMBUSTIBLE . FIRE SAFE —

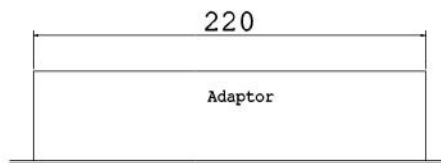


DO NOT SCALE

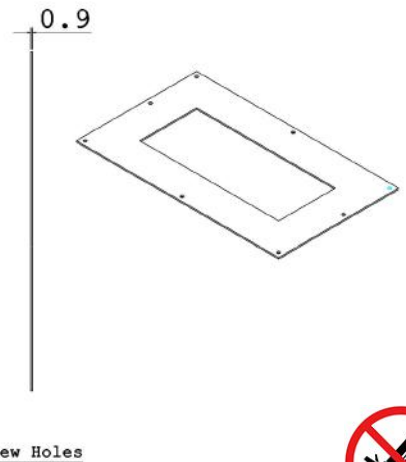
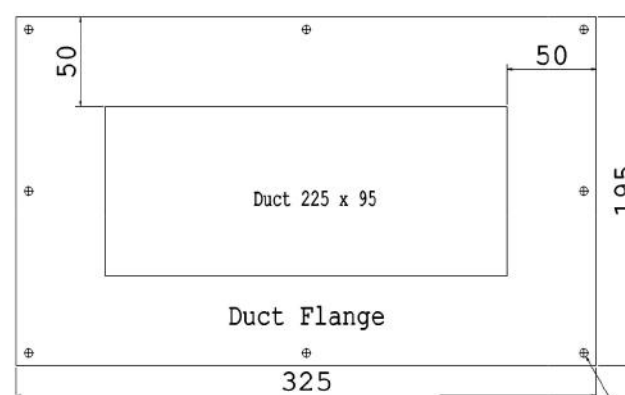
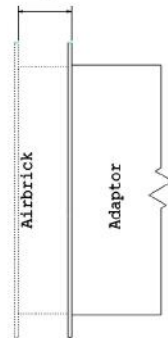
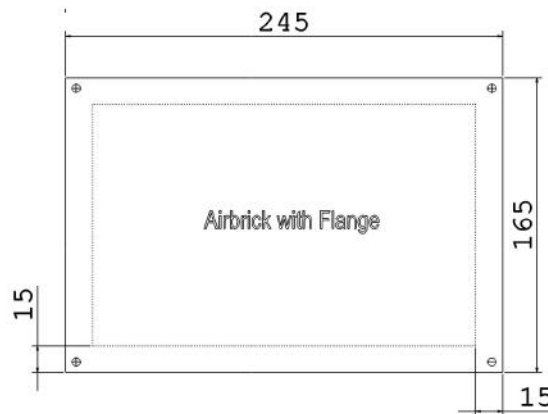
Rytons A1® Fire-rated Retrofit 90° Ducting Kit 220mm x 90mm with Return Grille Double Air Brick Flanged



Free Area Calculation
90mm x 8mm Return Grille = 720mm ²
x26 Grilles = 18,720mm ²



Telescopic
Up to an extra 40mm



Rytons A1® Fire-rated Retrofit 90° Ducting Kit 220mm x 90mm with Return Grille Double Air Brick Flanged

Product Code:
A1RF90DK220X90RGDF

Return Grille Double Air Brick Flanged
18,720mm² free area (> 90% of the duct)

Registered Design 6085477
Patent Approved

V5i



- Drawings are not to scale
- Dimensions are in mm
- Products are hand made and have a tolerance of +/- 5%

Intellectual property of Rytons Building Products Ltd. Not to be copied, distributed or reproduced without Rytons written agreement. In case of query email admin@rytons.com.

