

Rytons A1® Fire-rated S-Shape Ducting Kit 204mm x 60mm with Square Holed Single Air Brick
Custom RAL colour air brick in matt, semi-gloss or gloss finish achieving Class A2-s1, d0
RAL8004 (Copper brown) matt finish pictured
Registered Design 6087692
Patent Approved
Product Code: A1SSDK204X60SQS

RYTONS
www.vents.co.uk
A Family Business
Since 1972



**MADE IN
BRITAIN**

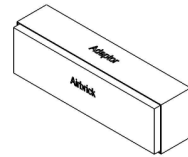
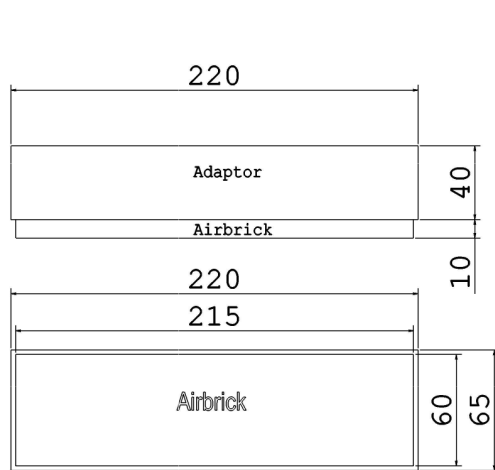
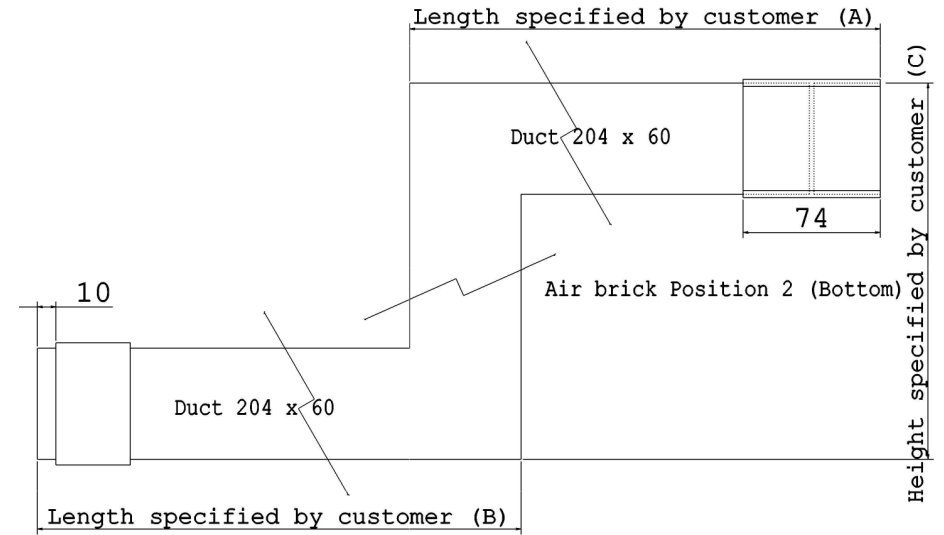
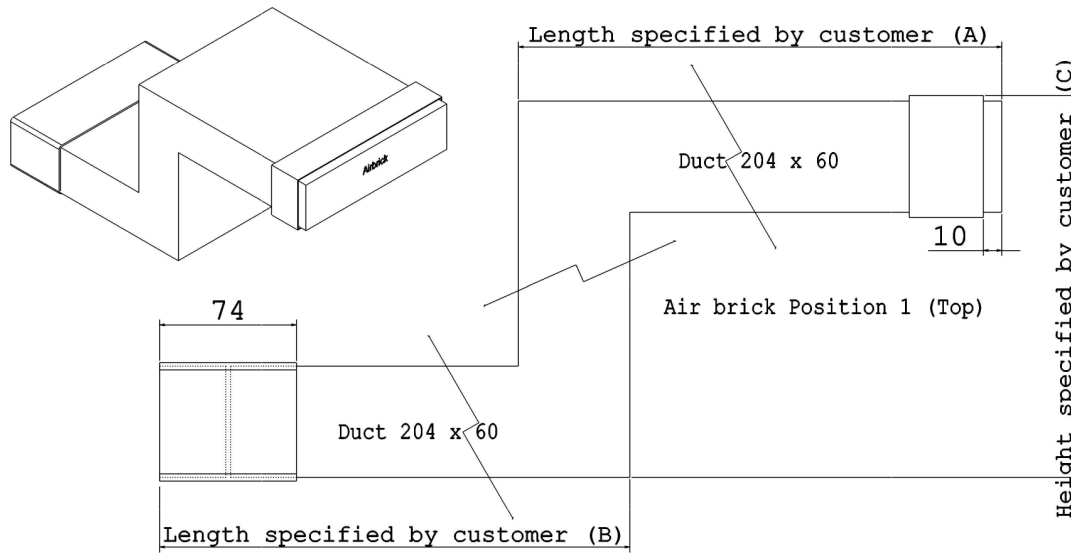


EUROPEAN CLASSIFICATION A1
— NON-COMBUSTIBLE . FIRE SAFE —

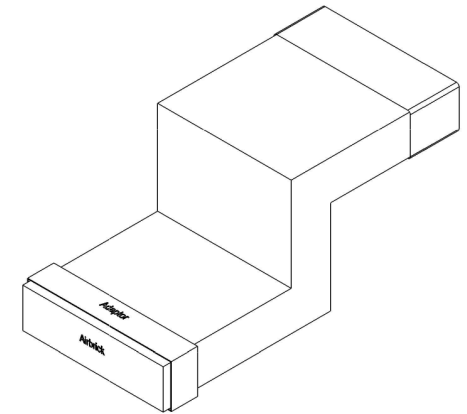
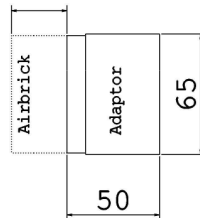


DO NOT SCALE

Rytons A1® Fire-rated S-Shape Ducting Kit 204mm x 60mm with Square Holed Single Air Brick



Telescopic
Up to an extra 30mm



Free Area Calculation

12.7mm x 12.7mm Square Hole = 161.29mm²
x56 Holes = 9,032.24mm²



Rytons A1® Fire-rated S-Shape Ducting Kit 204mm x 60mm with Square Holed Single Air Brick

Product Code: A1SSDK204X60SQS

Square Holed Single Air Brick 9,032mm² free area

Registered Design 6087691 Patent Approved

V5i



• Drawings are not to scale • Dimensions are in mm
• Products are hand made and have a tolerance of +/- 5%

Intellectual property of Rytons Building Products Ltd. Not to be copied, distributed or reproduced without Rytons written agreement. In case of query email admin@rytons.com.

