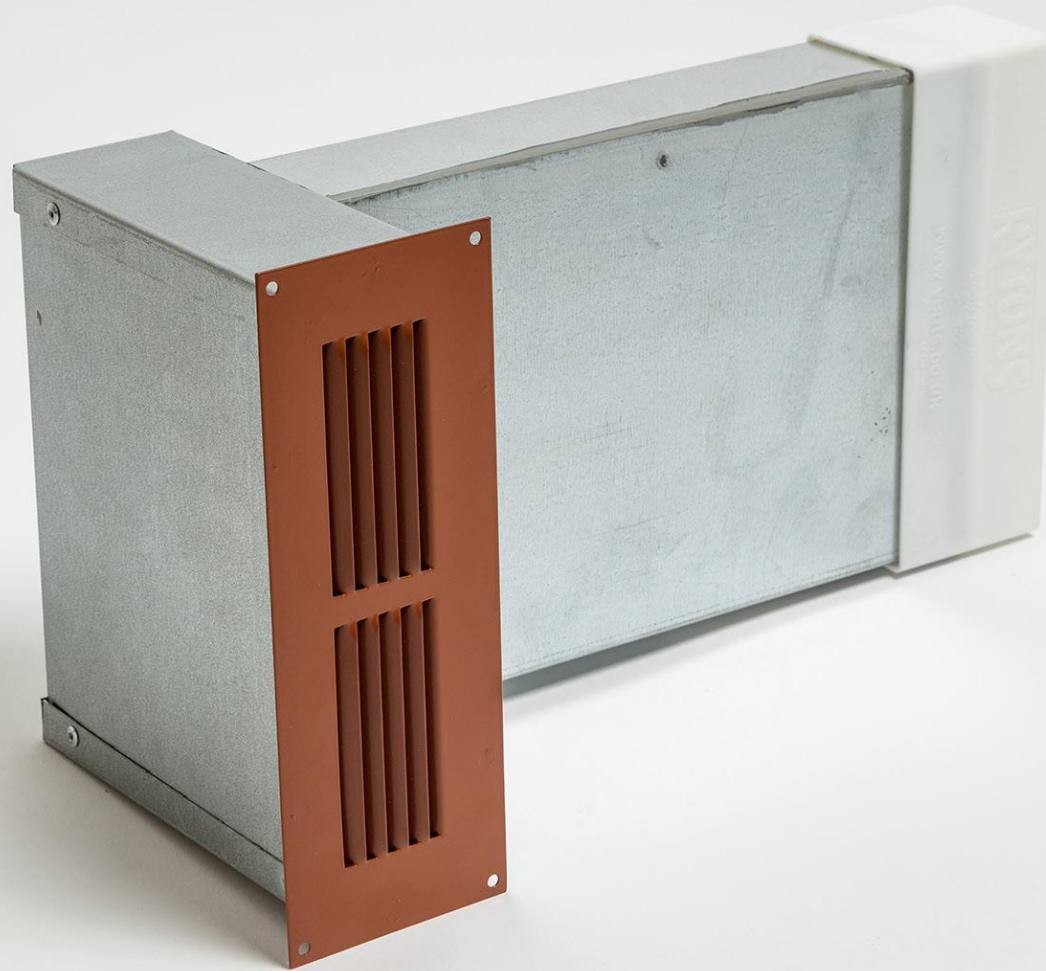


Rytons A1® Fire-rated 90° Ducting Kit 204mm x 60mm with Return Grille Single Air Brick Flanged  
Custom RAL colour air brick in matt, semi-gloss or gloss finish achieving Class A2-s1, d0  
RAL8004 (Copper brown) matt finish pictured  
Registered Design 6085468  
Patent Approved  
Product Code: A190DK204X60RGSF

**RYTONS**  
www.vents.co.uk  
*A Family Business*  
*Since 1972*



**MADE IN  
BRITAIN**

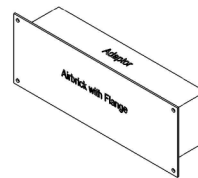
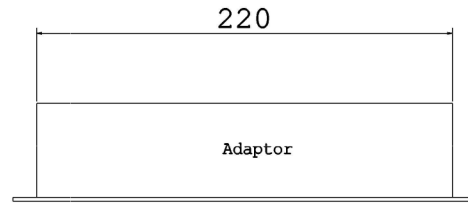
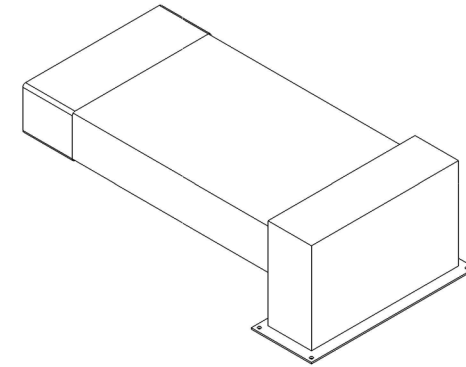
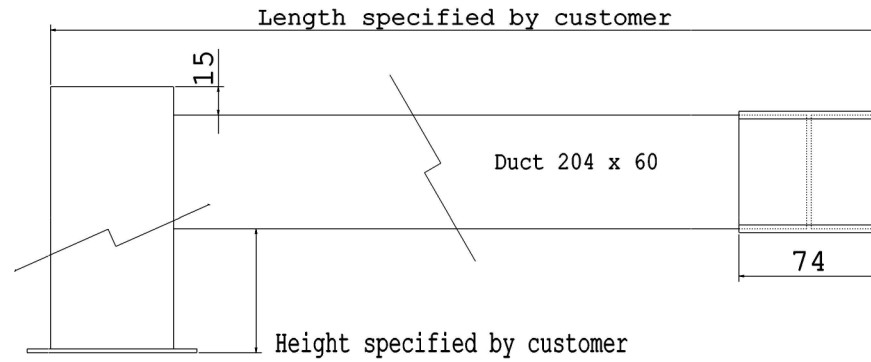


**EUROPEAN CLASSIFICATION A1**  
— NON-COMBUSTIBLE . FIRE SAFE —

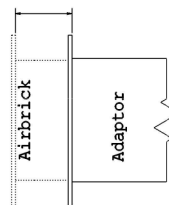
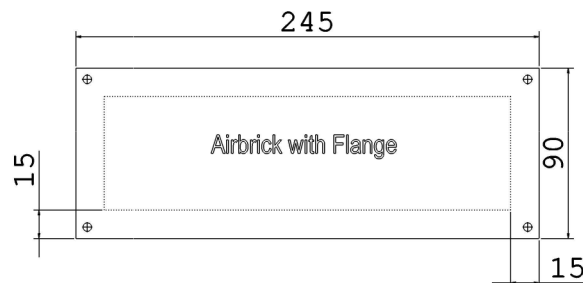


DO NOT SCALE

# Rytons A1® Fire-rated 90° Ducting Kit 204mm x 60mm with Return Grille Single Air Brick Flanged



Telescopic  
Up to an extra 40mm



Free Area Calculation
90mm x 8mm Return Grille = 720mm <sup>2</sup>
x10 Grilles = 7,200mm <sup>2</sup>



Rytons A1® Fire-rated 90° Ducting Kit 204mm x 60mm with Return Grille Single Air Brick Flanged

Product Code:  
A190DK204X60RGSF

Return Grille Single Air Brick Flanged  
7,200mm<sup>2</sup> free area

Registered Design 6085468  
Patent Approved

V5i



- Drawings are not to scale
- Dimensions are in mm
- Products are hand made and have a tolerance of +/- 5%

Intellectual property of Rytons Building Products Ltd. Not to be copied, distributed or reproduced without Rytons written agreement. In case of query email admin@rytons.com.

