

Rytons A1® Fire-rated Ducting Kit 125mm Dia. with Round FlowRyt® Grille
Custom RAL colour grille in matt, semi-gloss or gloss finish achieving Class A2-s1, d0
RAL6010 (Grass green) matt finish pictured
Connector for 204mm x 60mm ducting
Registered Design 6235658
Patent Approved
Product Code: A1DK125FRR

RYTONS
www.vents.co.uk
A Family Business
Since 1972



MADE IN BRITAIN

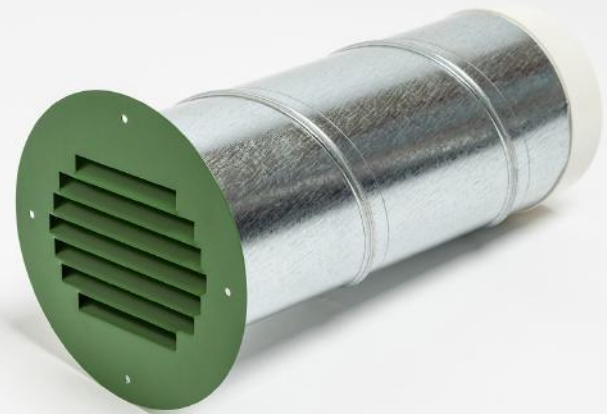


EUROPEAN CLASSIFICATION A1
NON-COMBUSTIBLE - FIRE SAFE



Rytons A1® Fire-rated Ducting Kit 125mm Dia. with Round FlowRyt® Grille
Custom RAL colour grille in matt, semi-gloss or gloss finish achieving Class A2-s1, d0
RAL6010 (Grass green) matt finish pictured
Connector for 125mm dia. ducting
Registered Design 6327476
Patent Approved
Product Code: A1DK125FRR

RYTONS
www.vents.co.uk
A Family Business
Since 1972



MADE IN BRITAIN

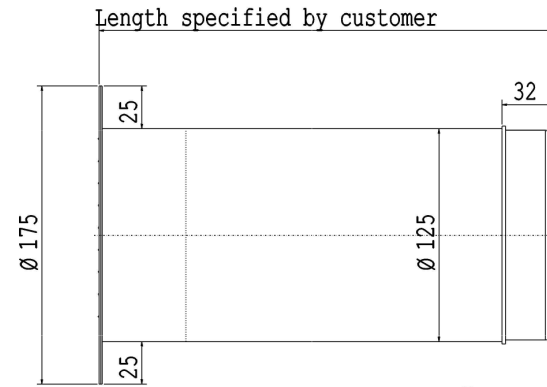
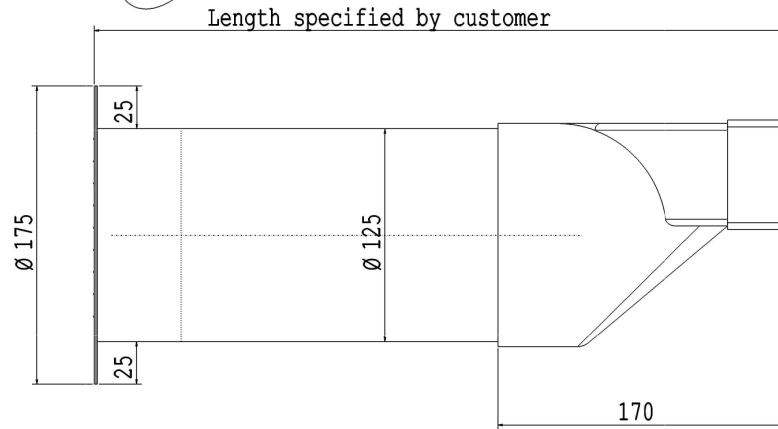
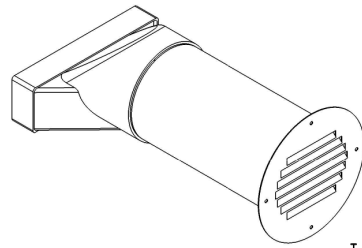


EUROPEAN CLASSIFICATION A1
NON-COMBUSTIBLE - FIRE SAFE

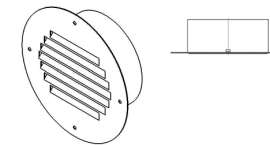
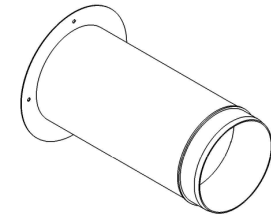
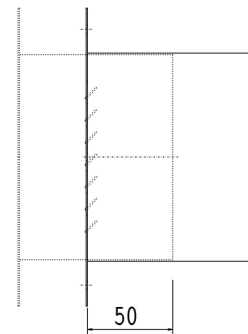
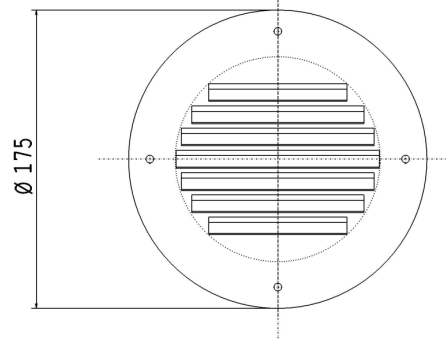


DO NOT SCALE

Rytons A1® Fire-rated Ducting Kit 125mm Dia. with Round FlowRyt® Grille



Telescopic up to an extra 40mm



Rytons A1® Fire-rated Ducting Kit 125mm Dia. with Round FlowRyt® Grille

Product Code: A1DK125FRR

Round FlowRyt® Grille with Spigot (125mm)
6,912mm² free area

Registered Design: 6235658 & 6327476 | Patent Approved

V3ii



• Drawings are not to scale • Dimensions are in mm
• Products are hand made and have a tolerance of +/- 5%

Intellectual property of Rytons Building Products Ltd. Not to be copied, distributed or reproduced without Rytons written agreement. In case of query email admin@rytons.com.

