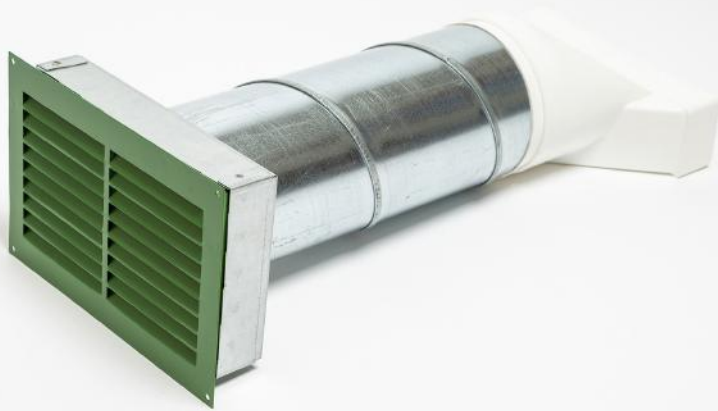


Rytons A1® Fire-rated Ducting Kit 125mm Dia. with FlowRyt® Double Air Brick Flanged  
Custom RAL colour air brick in matt, semi-gloss or gloss finish achieving Class A2-s1, d0  
RAL6010 (Grass green) matt finish pictured  
Connector for 204mm x 60mm ducting  
Registered Design 6109950  
Patent Approved  
Product Code: A1DK125FRDF

**RYTONS**  
www.vents.co.uk  
*A Family Business*  
*Since 1972*



**MADE IN  
BRITAIN**



**EUROPEAN CLASSIFICATION A1**  
NON-COMBUSTIBLE - FIRE SAFE



Rytons A1® Fire-rated Ducting Kit 125mm Dia. with FlowRyt® Double Air Brick Flanged  
Custom RAL colour air brick in matt, semi-gloss or gloss finish achieving Class A2-s1, d0  
RAL6010 (Grass green) matt finish pictured  
Connector for 125mm dia. ducting  
Registered Design 6109951  
Patent Approved  
Product Code: A1DK125FRDF

**RYTONS**  
www.vents.co.uk  
*A Family Business*  
*Since 1972*



**MADE IN  
BRITAIN**

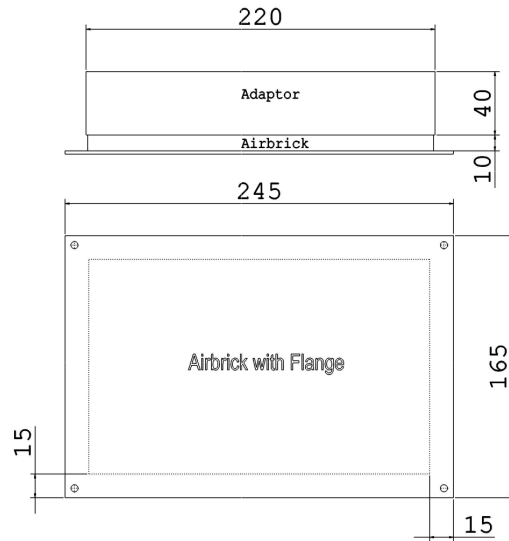
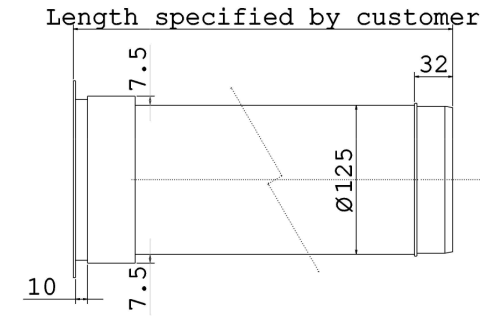
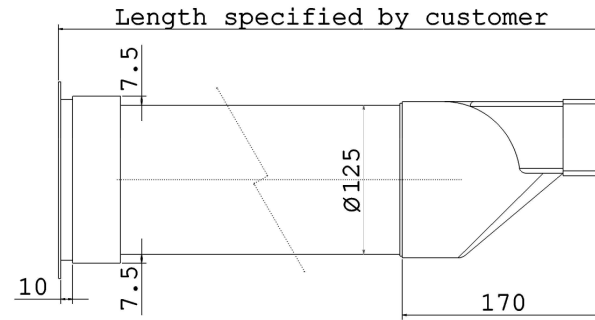
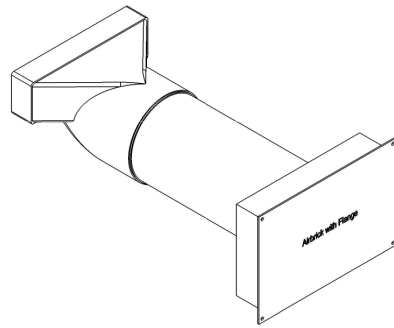


**EUROPEAN CLASSIFICATION A1**  
NON-COMBUSTIBLE - FIRE SAFE

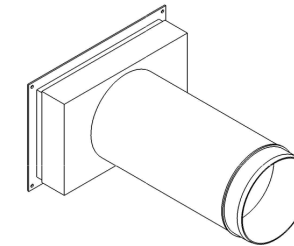
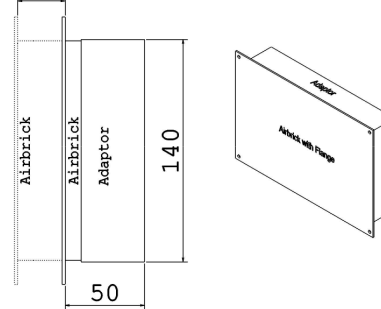


DO NOT SCALE

Rytons A1® Fire-rated Ducting Kit 125mm Dia. with FlowRyt® Double Air Brick Flanged



Telescopic  
Up to an extra 30mm



<b>Free Area Calculation</b>
100mm x 10mm FlowRyt® Grille = 1,000mm <sup>2</sup>
x18 Grilles = 18,000mm <sup>2</sup>



Rytons A1® Fire-rated Ducting Kit 125mm Dia. with FlowRyt® Double Air Brick Flanged

Product Code:  
A1DK125FRDF

FlowRyt® Double Air Brick Flanged  
18,000mm<sup>2</sup> free area (> 90% of the duct)

Registered Design: 6109950 & 6109951 | Patent Approved

V4i



• Drawings are not to scale • Dimensions are in mm  
• Products are hand made and have a tolerance of +/- 5%

Intellectual property of Rytons Building Products Ltd. Not to be copied, distributed or reproduced without Rytons written agreement. In case of query email admin@rytons.com.

