

Rytons A1® Fire-rated S-Shape Ducting Kit 110mm x 54mm with Return Grille Single Air Brick  
Custom RAL colour air brick in matt, semi-gloss or gloss finish achieving Class A2-s1, d0  
RAL8004 (Copper brown) matt finish pictured  
Registered Design 6087691  
Patent Approved  
Product Code: A1SSDK110X54RGS



 **MADE IN  
BRITAIN**®

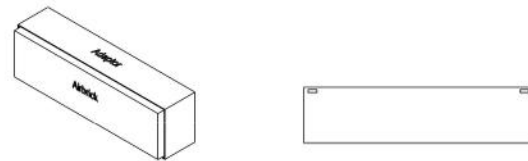
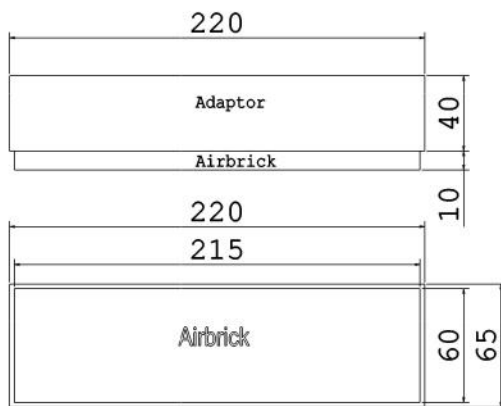
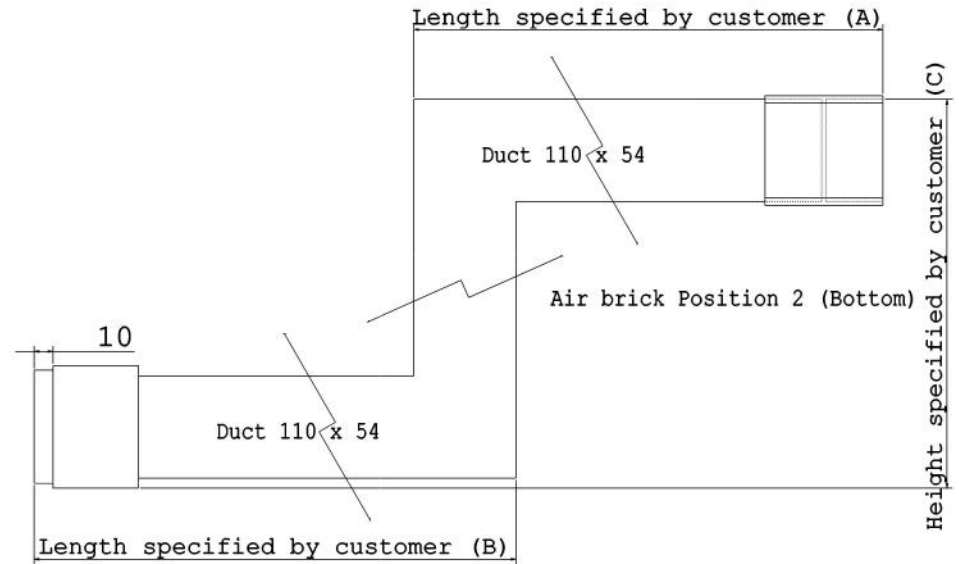
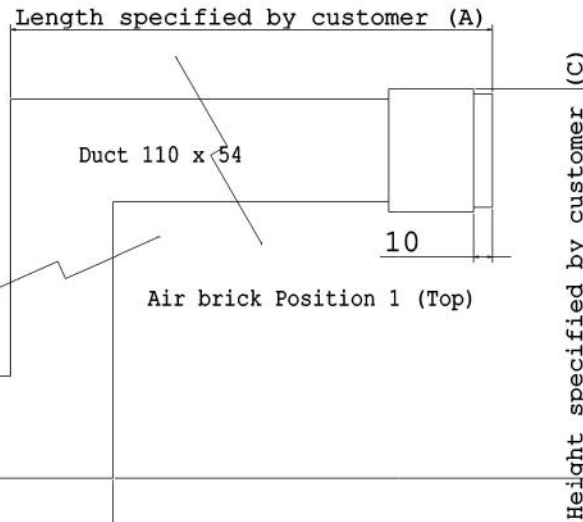
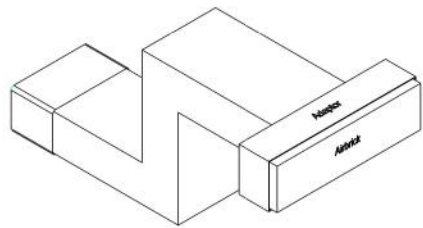


**EUROPEAN CLASSIFICATION A1**  
— NON-COMBUSTIBLE . FIRE SAFE —

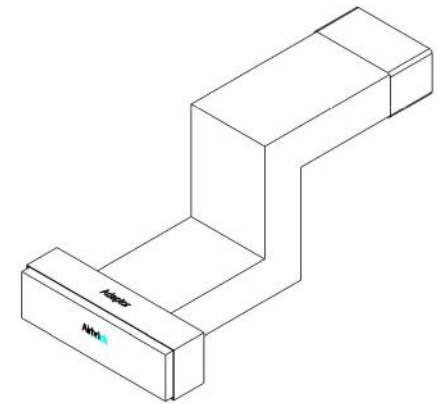
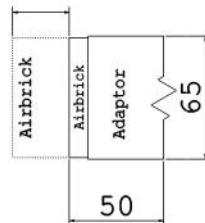


DO NOT SCALE

Rytons A1® Fire-rated S-Shape Ducting Kit 110mm x 54mm with Return Grille Single Air Brick



Telescopic  
Up to an extra 30mm



Free Area Calculation
90mm x 8mm Return Grille = 720mm <sup>2</sup>
x10 Grilles = 7,200mm <sup>2</sup>



Rytons A1® Fire-rated S-Shape Ducting Kit 110mm x 54mm with Return Grille Single Air Brick

Product Code:  
A1SSDK110X54RGS

Return Grille Single Air Brick  
7,200mm<sup>2</sup> free area (> 90% of the duct)

Registered Design 6087692  
Patent Approved

V5i



- Drawings are not to scale
- Dimensions are in mm
- Products are hand made and have a tolerance of +/- 5%

Intellectual property of Rytons Building Products Ltd. Not to be copied, distributed or reproduced without Rytons written agreement. In case of query email admin@rytons.com.

