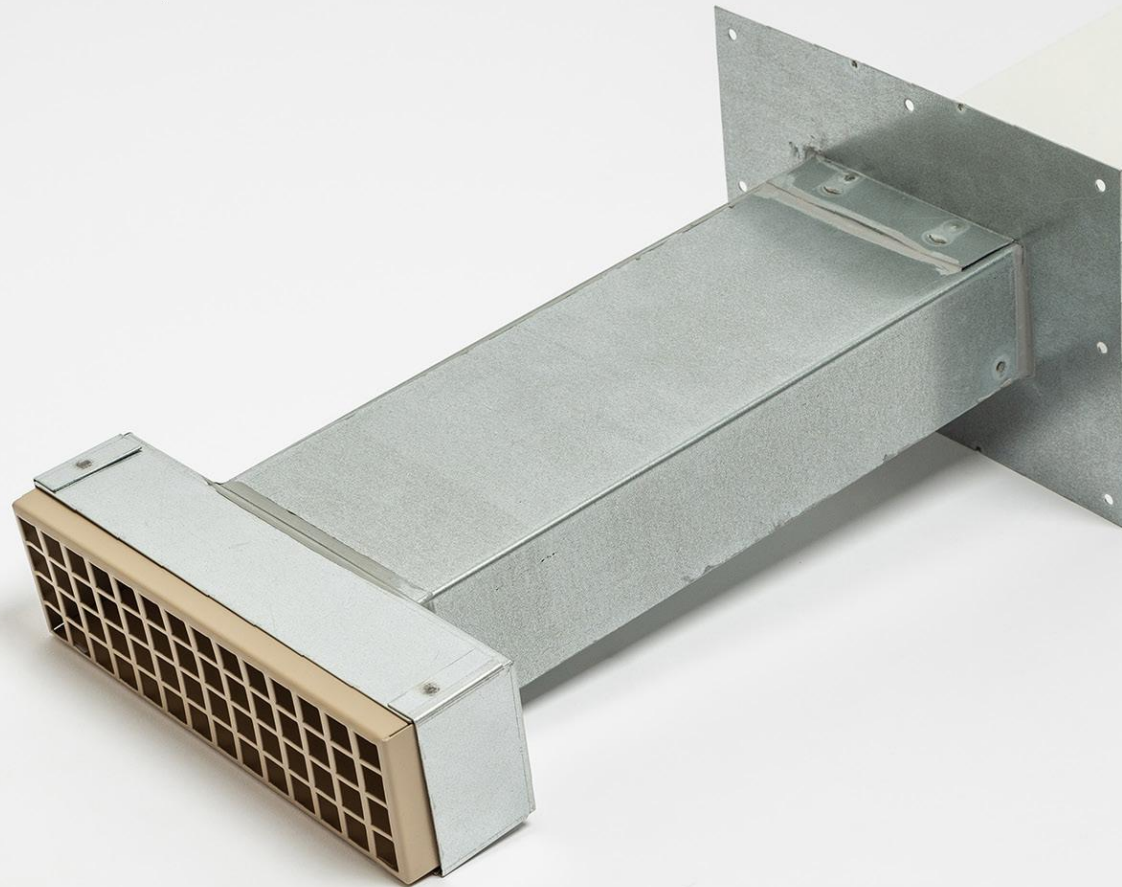


Rytons A1® Fire-rated Retrofit Ducting Kit 110mm x 54mm with Square Holed Single Air Brick  
Custom RAL colour air brick in matt, semi-gloss or gloss finish achieving Class A2-s1, d0  
RAL1019 (Grey beige) matt finish pictured  
Registered Design 6085459  
Patent Approved  
Product Code: A1RFDK110X54SQS



 **MADE IN  
BRITAIN**®

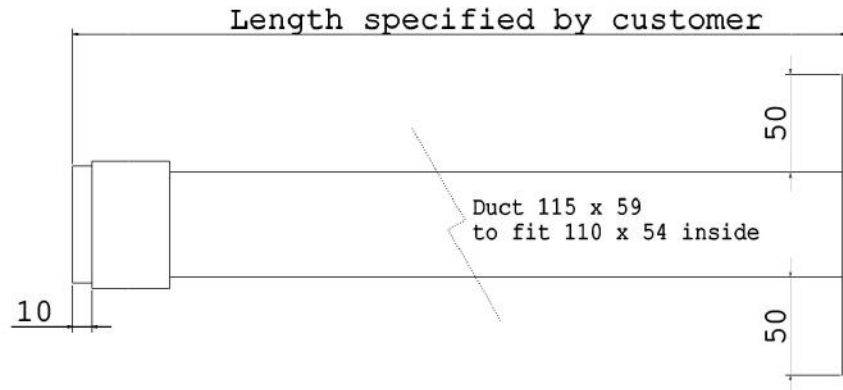


**EUROPEAN CLASSIFICATION A1**  
— NON-COMBUSTIBLE . FIRE SAFE —

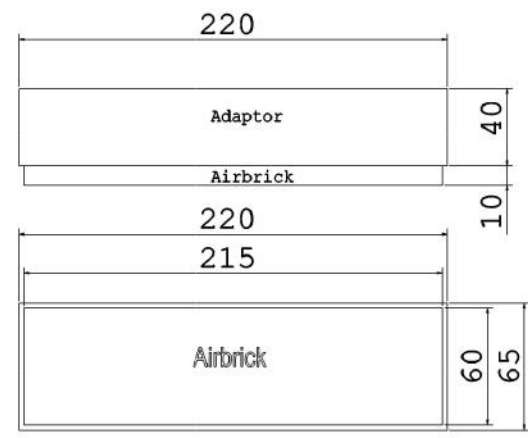
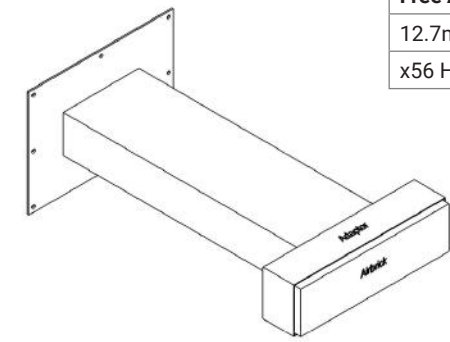


DO NOT SCALE

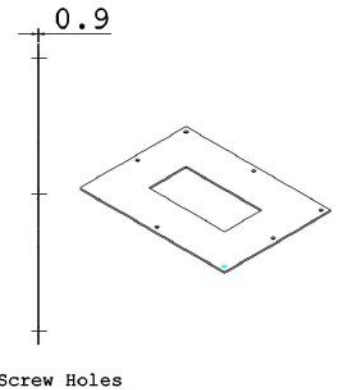
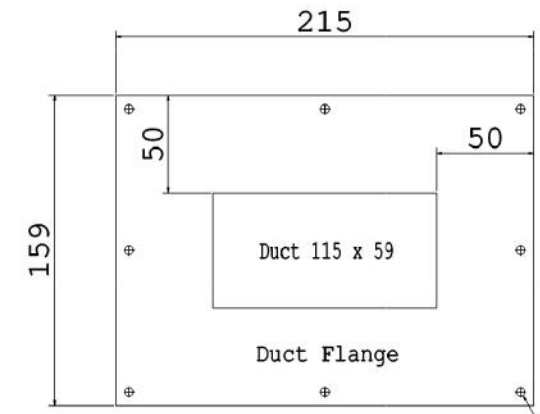
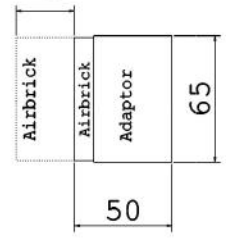
Rytons A1® Fire-rated Retrofit Ducting Kit 110mm x 54mm with Square Holed Single Air Brick



Free Area Calculation
12.7mm x 12.7mm Square Hole = 161.29mm <sup>2</sup>
x56 Holes = 9,032.24mm <sup>2</sup>



Telescopic  
Up to an extra 30mm



Rytons A1® Fire-rated Retrofit Ducting Kit 110mm x 54mm with Square Holed Single Air Brick

- Drawings are not to scale
- Dimensions are in mm
- Products are hand made and have a tolerance of +/- 5%

Product Code: A1RFDK110X54SQS

Intellectual property of Rytons Building Products Ltd. Not to be copied, distributed or reproduced without Rytons written agreement. In case of query email admin@rytons.com.

Square Holed Single Air Brick  
9,032mm<sup>2</sup> free area (> 90% of the duct)

Registered Design 6085459  
Patent Approved

V4i

