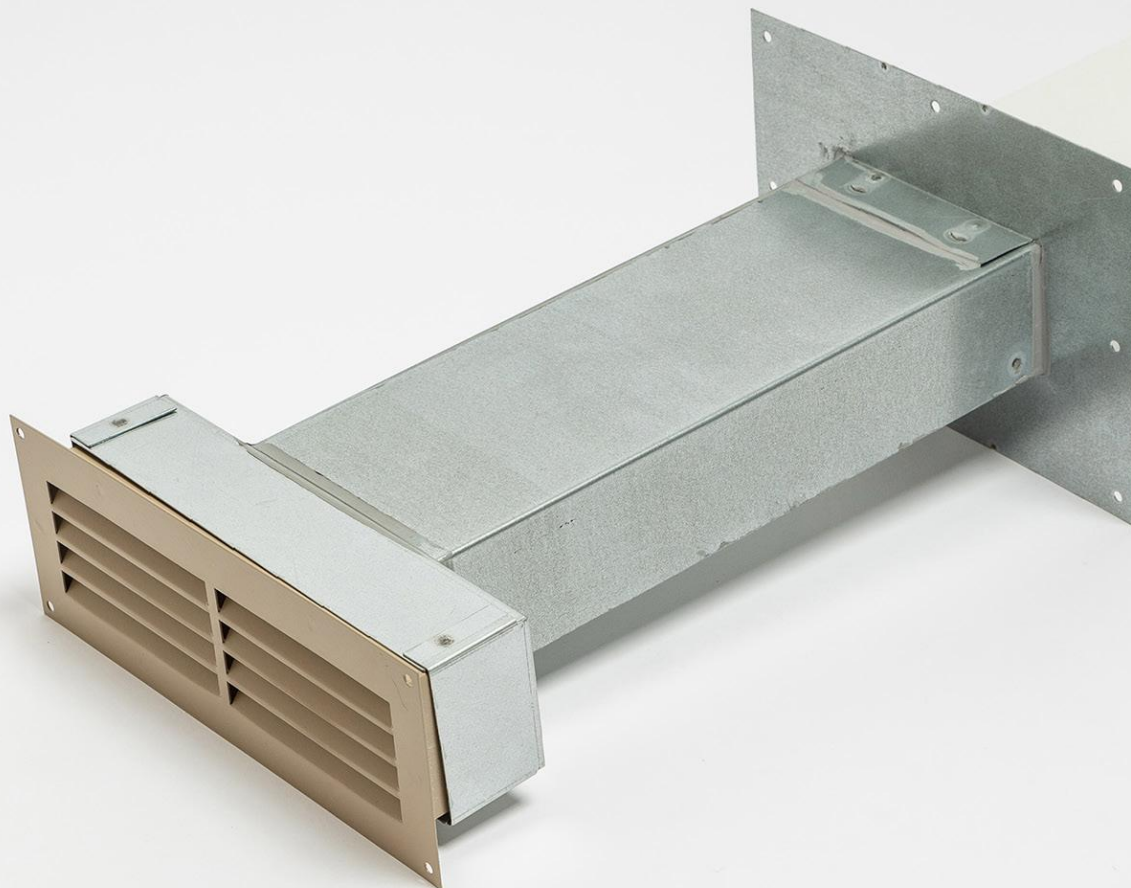


Rytons A1® Fire-rated Retrofit Ducting Kit 110mm x 54mm with FlowRyt® Single Air Brick Flanged
Custom RAL colour air brick in matt, semi-gloss or gloss finish achieving Class A2-s1, d0
RAL1019 (Grey beige) matt finish pictured
Registered Design 6085460
Patent Approved
Product Code: A1RFDK110X54FRSF



**MADE IN
BRITAIN**

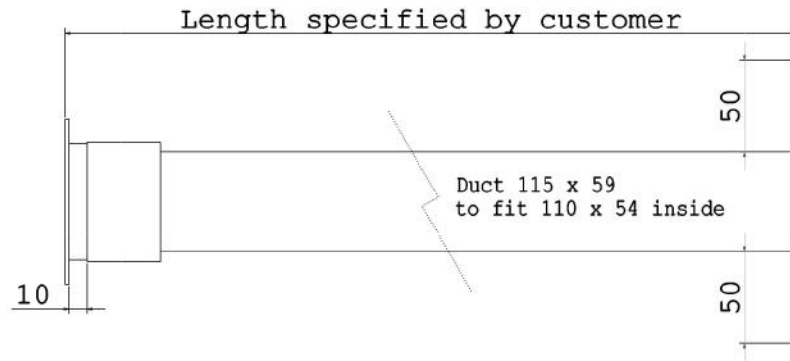


EUROPEAN CLASSIFICATION A1
— NON-COMBUSTIBLE . FIRE SAFE —

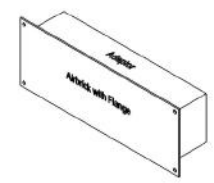
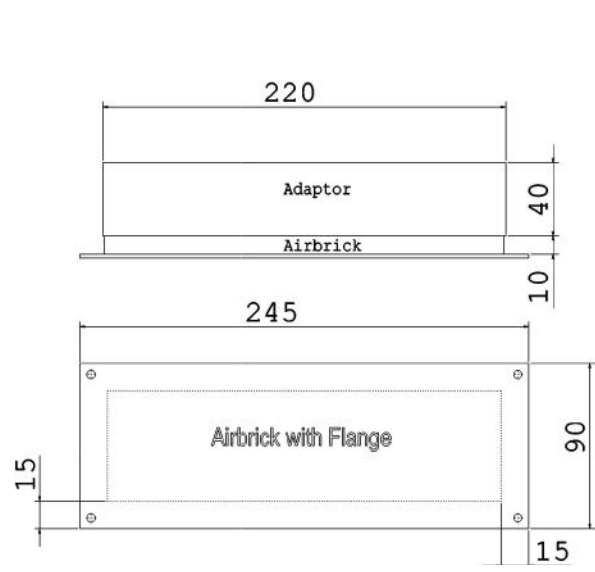
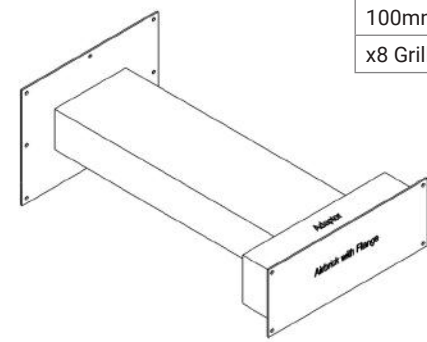


DO NOT SCALE

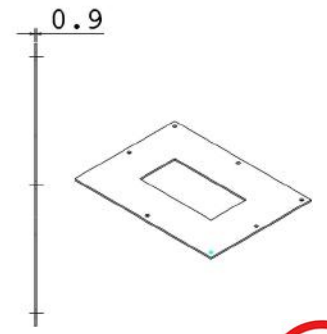
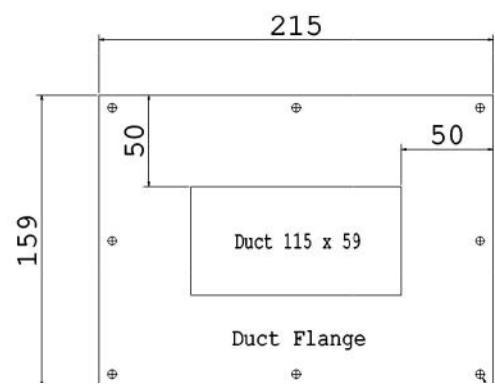
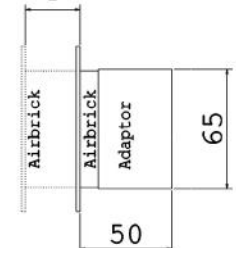
Rytons A1® Fire-rated Retrofit Ducting Kit 110mm x 54mm with FlowRyt® Single Air Brick Flanged



Free Area Calculation
100mm x 10mm FlowRyt® Grille = 1,000mm ²
x8 Grilles = 8,000mm ²



Telescopic
Up to an extra 30mm



Rytons A1® Fire-rated Retrofit Ducting Kit 110mm x 54mm with FlowRyt® Single Air Brick Flanged

- Drawings are not to scale
- Dimensions are in mm
- Products are hand made and have a tolerance of +/- 5%

Product Code: A1RFDK110X54FRSF

FlowRyt® Single Air Brick Flanged
8,000mm² free area (> 90% of the duct)

Registered Design 6085460
Patent Approved

V4i



Intellectual property of Rytons Building Products Ltd. Not to be copied, distributed or reproduced without Rytons written agreement. In case of query email admin@rytons.com.