

Rytons A1® Fire-rated Retrofit Ducting Kit 110mm x 54mm with FlowRyt® Single Air Brick
Custom RAL colour air brick in matt, semi-gloss or gloss finish achieving Class A2-s1, d0
RAL1019 (Grey beige) matt finish pictured
Registered Design 6085459
Patent Approved
Product Code: A1RFDK110X54FRS



**MADE IN
BRITAIN**

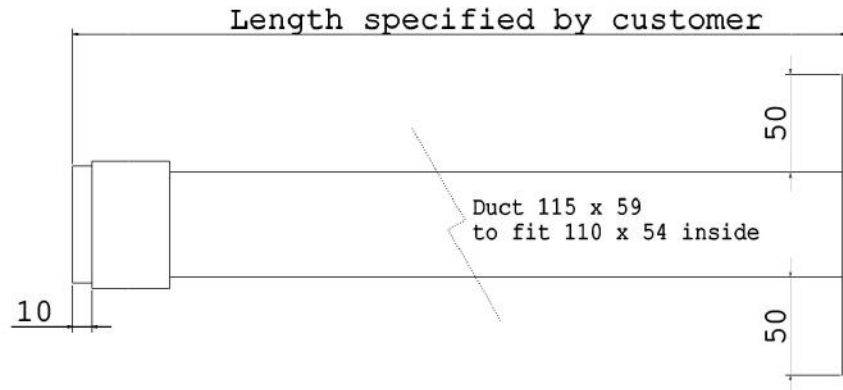


EUROPEAN CLASSIFICATION A1
— NON-COMBUSTIBLE . FIRE SAFE —

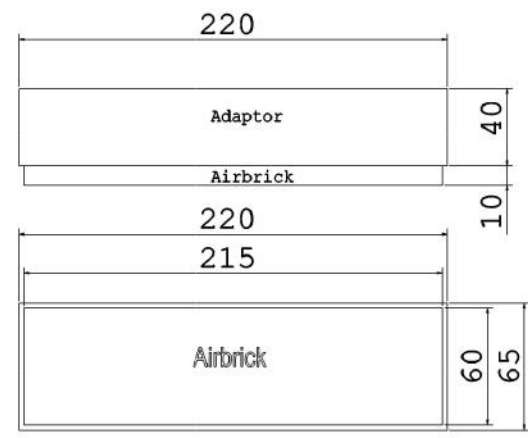
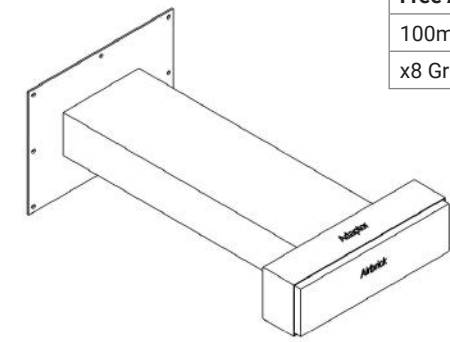


DO NOT SCALE

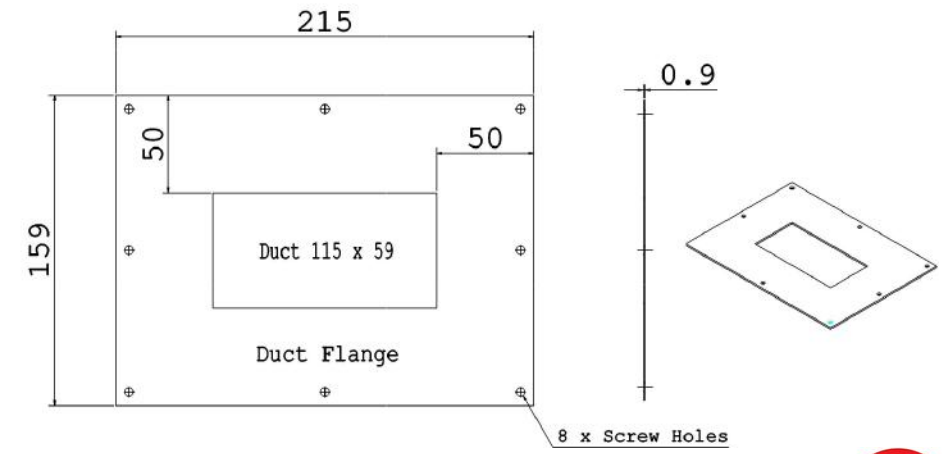
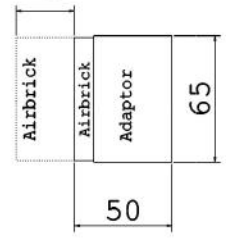
Rytons A1® Fire-rated Retrofit Ducting Kit 110mm x 54mm with FlowRyt® Single Air Brick



Free Area Calculation
100mm x 10mm FlowRyt® Grille = 1,000mm ²
x8 Grilles = 8,000mm ²



Telescopic
Up to an extra 30mm



Rytons A1® Fire-rated Retrofit Ducting Kit 110mm x 54mm with FlowRyt® Single Air Brick

- Drawings are not to scale
- Dimensions are in mm
- Products are hand made and have a tolerance of +/- 5%

Product Code: A1RFDK110X54FRS

Intellectual property of Rytons Building Products Ltd. Not to be copied, distributed or reproduced without Rytons written agreement. In case of query email admin@rytons.com.

FlowRyt® Single Air Brick
8,000mm² free area (> 90% of the duct)

Registered Design 6085459
Patent Approved

V4i

