

Rytons A1® Fire-rated 90° Ducting Kit 110mm x 54mm with Return Grille Single Air Brick Flanged  
Custom RAL colour air brick in matt, semi-gloss or gloss finish achieving Class A2-s1, d0  
RAL8004 (Copper brown) matt finish pictured  
Registered Design 6085461  
Patent Approved  
Product Code: A190DK110X54RGSF

**RYTONS**  
www.vents.co.uk  
*A Family Business*  
*Since 1972*



**MADE IN  
BRITAIN**

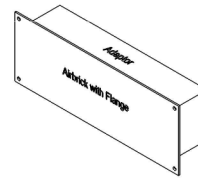
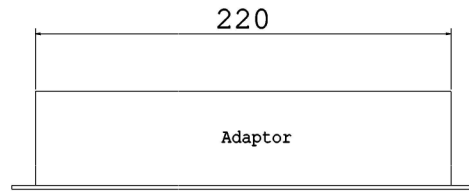
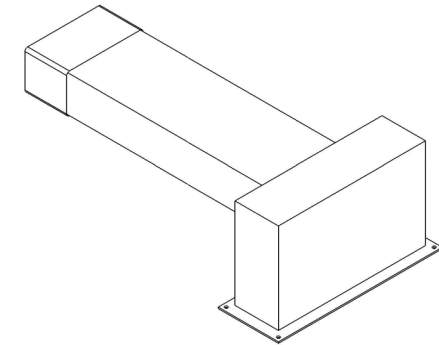
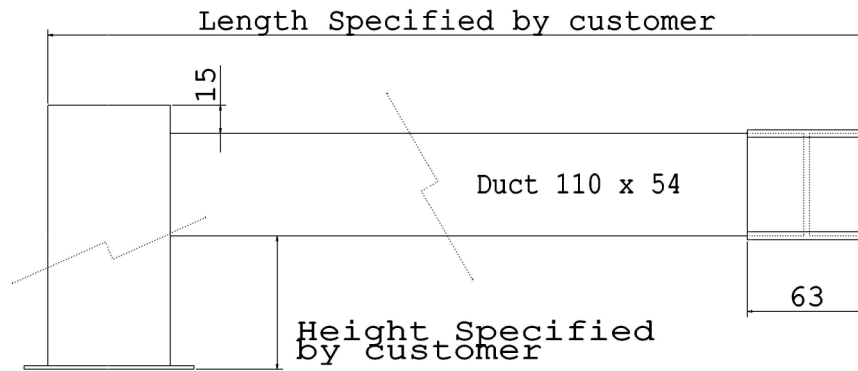


**EUROPEAN CLASSIFICATION A1**  
— NON-COMBUSTIBLE . FIRE SAFE —

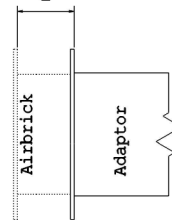
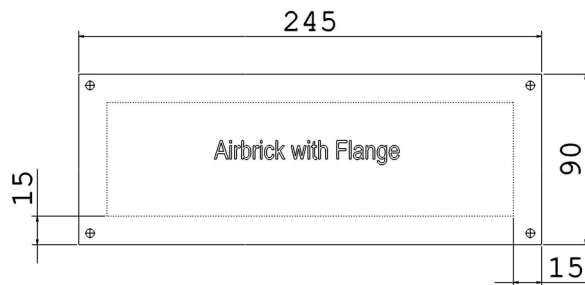


DO NOT SCALE

# Rytons A1® Fire-rated 90° Ducting Kit 110mm x 54mm with Return Grille Single Air Brick Flanged



Telescopic  
Up to an extra 40mm



Free Area Calculation
90mm x 8mm Return Grille = 720mm <sup>2</sup>
x10 Grilles = 7,200mm <sup>2</sup>



Rytons A1® Fire-rated 90° Ducting Kit 110mm x 54mm with Return Grille Single Air Brick Flanged

- Drawings are not to scale
- Dimensions are in mm
- Products are hand made and have a tolerance of +/- 5%

Product Code:  
A190DK110X54RGSF

Return Grille Single Air Brick Flanged  
7,200mm<sup>2</sup> free area (> 90% of the duct)

Registered Design 6085461  
Patent Approved

V5i



Intellectual property of Rytons Building Products Ltd. Not to be copied, distributed or reproduced without Rytons written agreement. In case of query email admin@rytons.com.

