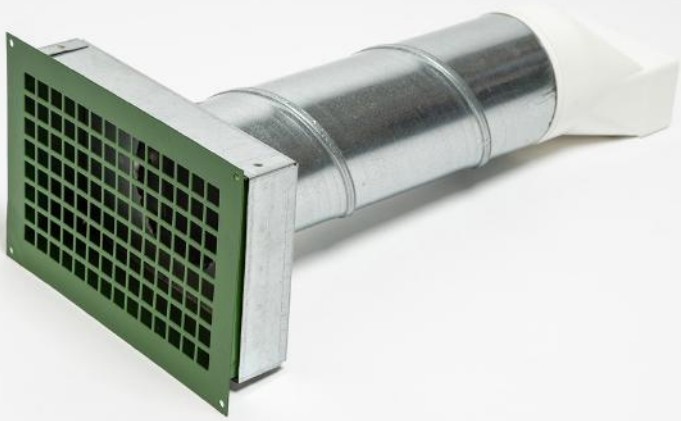


Rytons A1® Fire-rated Ducting Kit 100mm Dia. with Square Holed Double Air Brick Flanged  
Custom RAL colour air brick in matt, semi-gloss or gloss finish achieving Class A2-s1, d0  
RAL6010 (Grass green) matt finish pictured  
Connector for 110mm x 54mm ducting  
Registered Design 6109946  
Patent Approved  
Product Code: A1DK100SQDF

**RYTONS**  
www.vents.co.uk  
*A Family Business*  
*Since 1972*



**MADE IN  
BRITAIN**

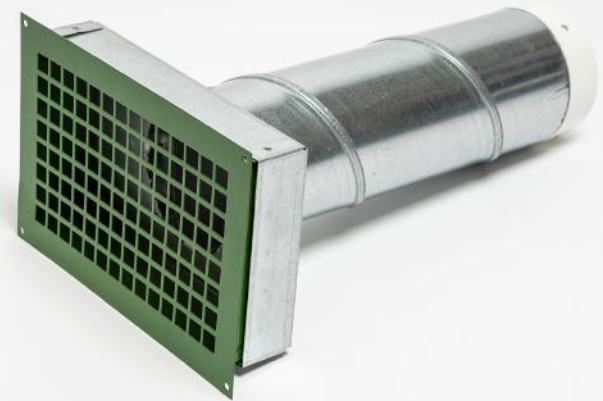


EUROPEAN CLASSIFICATION A1  
NON-COMBUSTIBLE - FIRE SAFE



Rytons A1® Fire-rated Ducting Kit 100mm Dia. with Square Holed Double Air Brick Flanged  
Custom RAL colour air brick in matt, semi-gloss or gloss finish achieving Class A2-s1, d0  
RAL6010 (Grass green) matt finish pictured  
Connector for 100mm dia. ducting  
Registered Design 6109947  
Patent Approved  
Product Code: A1DK100SQDF

**RYTONS**  
www.vents.co.uk  
*A Family Business*  
*Since 1972*



**MADE IN  
BRITAIN**

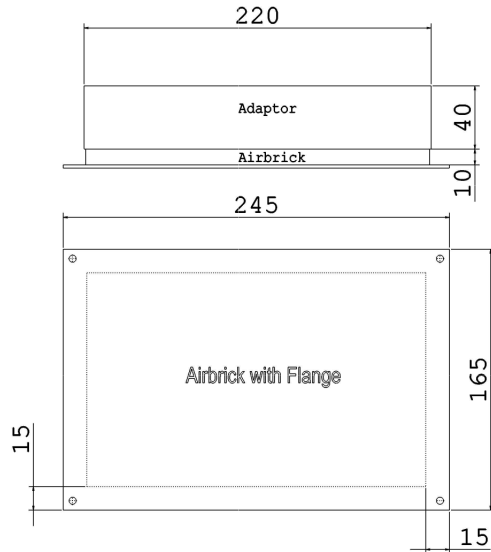
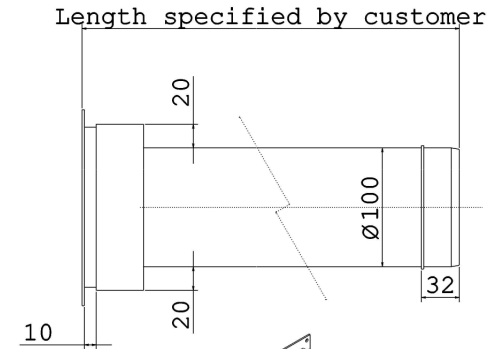
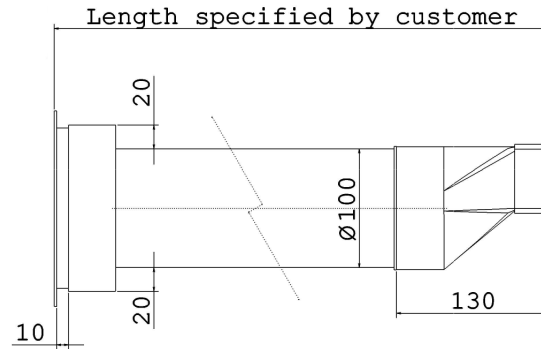
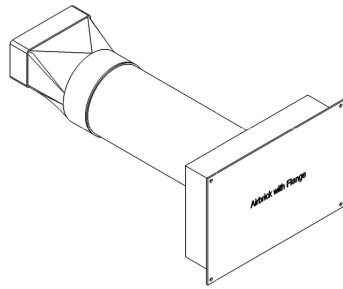


EUROPEAN CLASSIFICATION A1  
NON-COMBUSTIBLE - FIRE SAFE

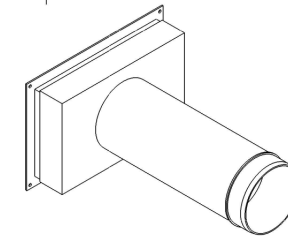
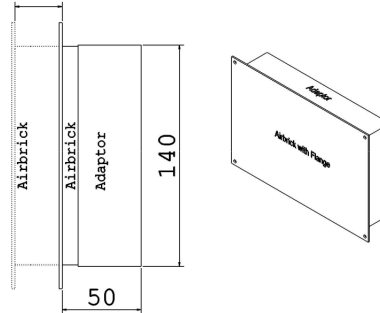


DO NOT SCALE

Rytons A1® Fire-rated Ducting Kit 100mm Dia. with Square Holed Double Air Brick Flanged



Telescopic  
Up to an extra 30mm



<b>Free Area Calculation</b>
12.7mm x 12.7mm Square Hole = 161.29mm <sup>2</sup>
x112 Holes = 18,064.48mm <sup>2</sup>



Rytons A1® Fire-rated Ducting Kit 100mm Dia. with Square Holed Double Air Brick Flanged

Product Code: A1DK100SQDF

Square Holed Double Air Brick Flanged  
18,064mm<sup>2</sup> free area (> 90% of the duct)

Registered Design: 6109946 & 6109947 | Patent Approved

V4i



• Drawings are not to scale • Dimensions are in mm  
• Products are hand made and have a tolerance of +/- 5%

Intellectual property of Rytons Building Products Ltd. Not to be copied, distributed or reproduced without Rytons written agreement. In case of query email admin@rytons.com.

