

Rytons A1® Fire-rated Return Grille Triple Soldier Air Brick Flanged
Custom RAL colour in matt, semi-gloss or gloss finish achieving Class A2-s1, d0
RAL2002 (Vermilion) pictured
Registered Design 6180112
Patent Approved
Product Code: A1RGTSF



**MADE IN
BRITAIN**

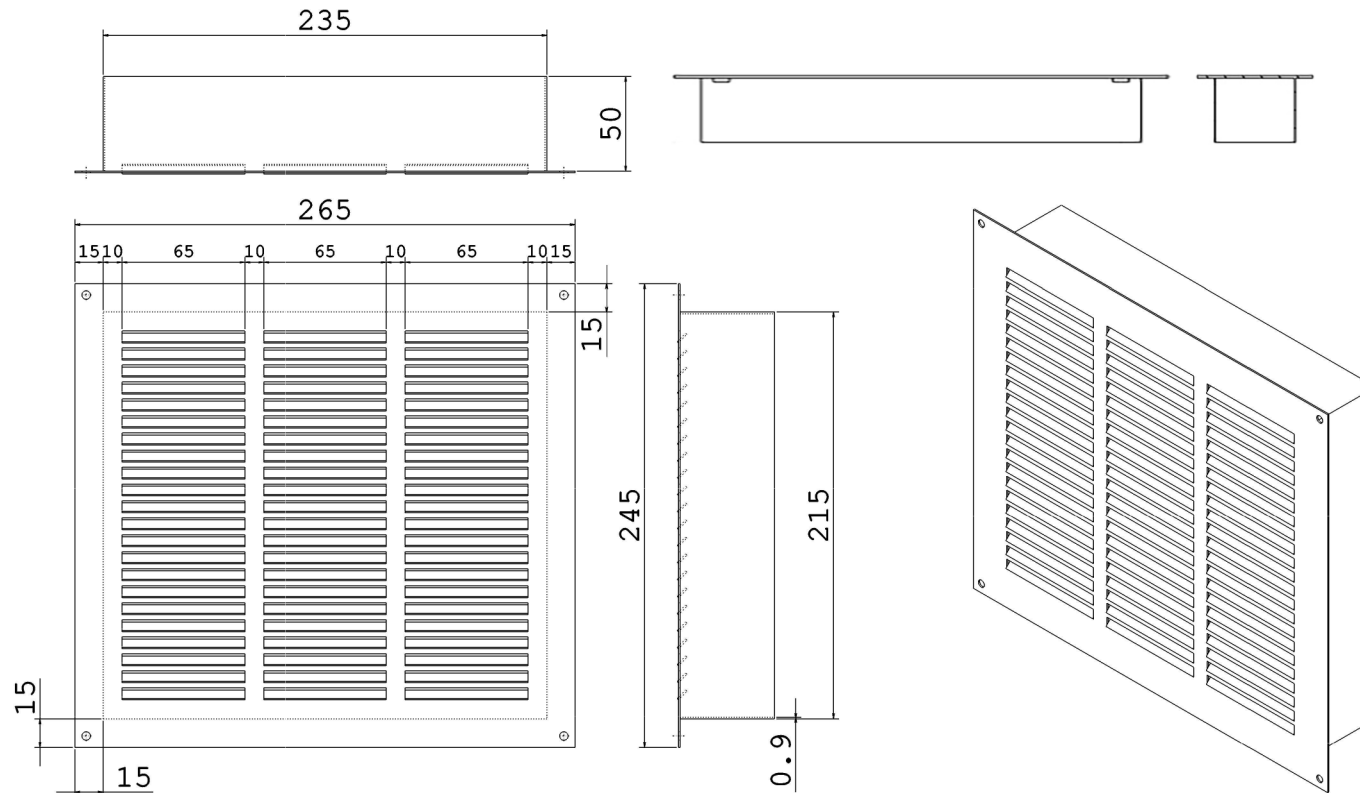


EUROPEAN CLASSIFICATION A1
— NON-COMBUSTIBLE . FIRE SAFE —

DO NOT SCALE

Rytons A1® Fire-rated Return Grille Triple Soldier Air Brick Flanged

Free Area Calculation
65mm x 8mm Return Grille = 520mm ²
x66 Grilles = 34,320mm ²



Rytons A1® Fire-rated Return Grille Triple Soldier Air Brick Flanged

- Drawings are not to scale
- Dimensions are in mm
- Products are hand made and have a tolerance of +/- 5%

Product Code:
A1RGTSF

Free Area:
34,320mm²

Registered Design 6180112
Patent Approved

V4i



Intellectual property of Rytons Building Products Ltd. Not to be copied, distributed or reproduced without Rytons written agreement. In case of query email admin@rytons.com.

