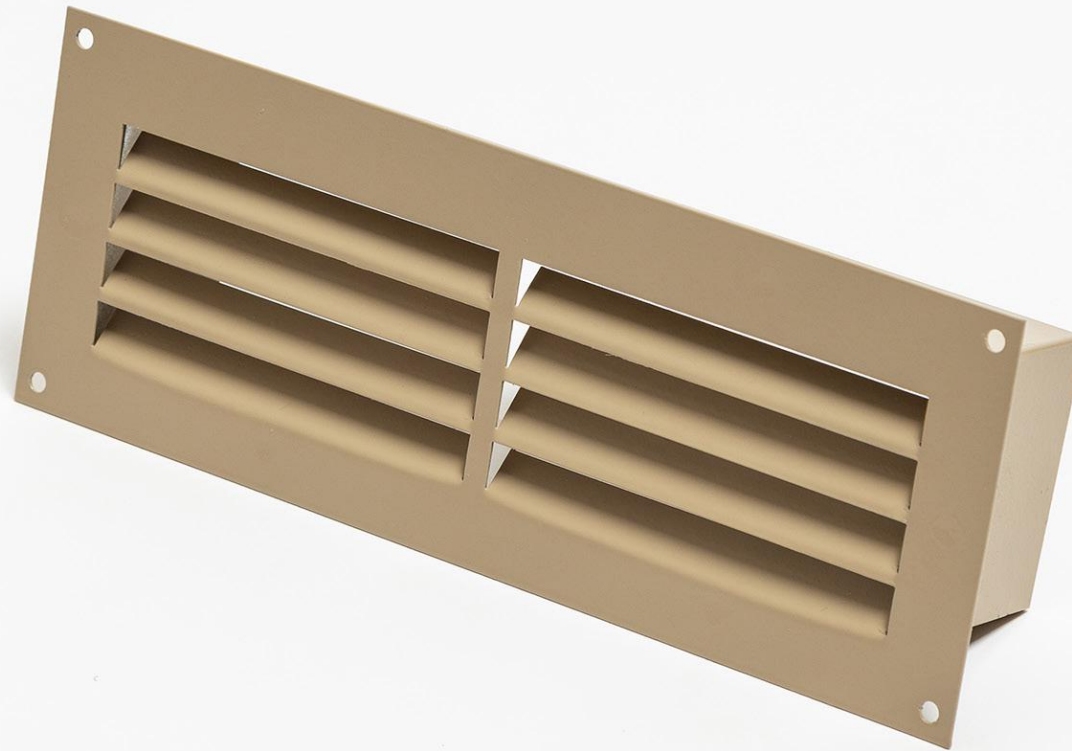


Ryttons A1® Fire-rated FlowRyt® Single Air Brick Flanged  
Custom RAL colour in matt, semi-gloss or gloss finish achieving Class A2-s1, d0  
RAL1019 (Grey beige) matt finish pictured  
Registered Design 6109960  
Patent Approved  
Product Code: A1FRSF



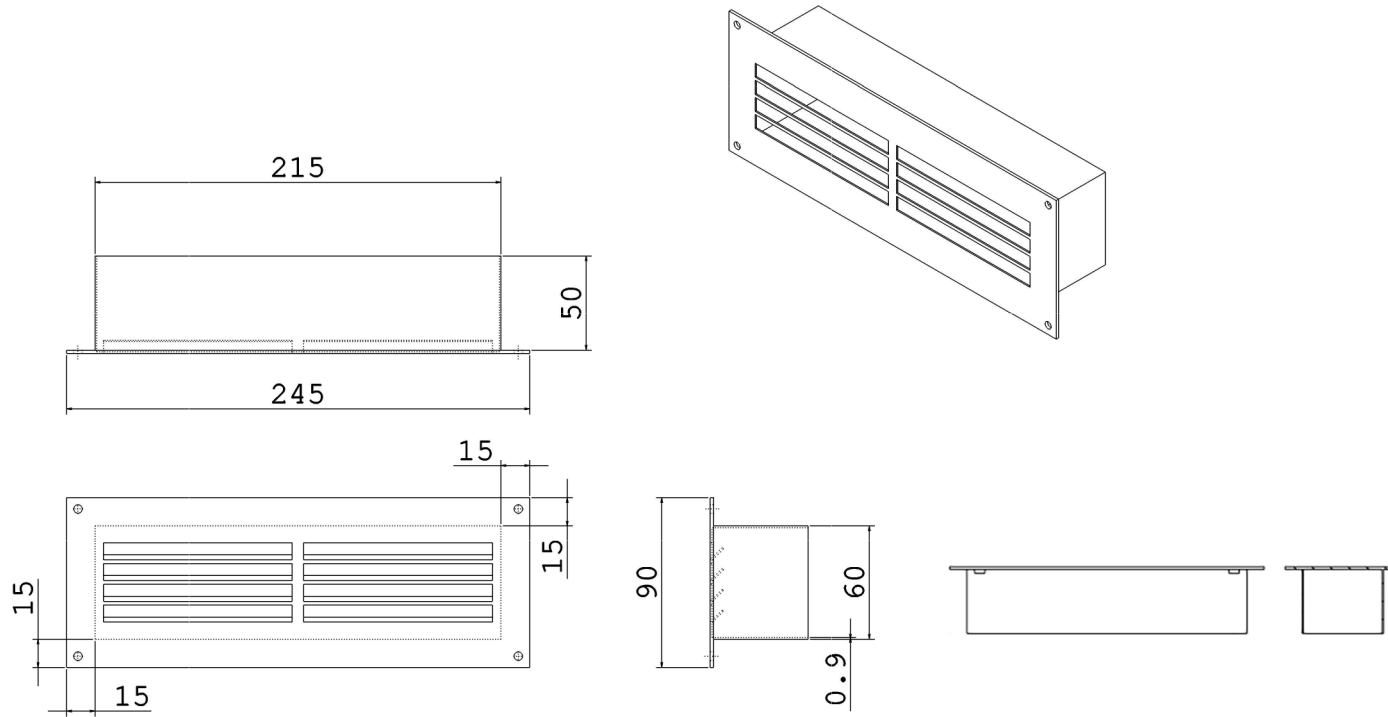
**MADE IN  
BRITAIN**



**EUROPEAN CLASSIFICATION A1**  
— NON-COMBUSTIBLE . FIRE SAFE —

DO NOT SCALE

Rytons A1® Fire-rated FlowRyt® Single Air Brick Flanged



Free Area Calculation
100mm x 10mm FlowRyt® Grille = 1,000mm <sup>2</sup>
x8 Grilles = 8,000mm <sup>2</sup>



Rytons A1® Fire-rated FlowRyt® Single Air Brick Flanged

- Drawings are not to scale • Dimensions are in mm
- Products are hand made and have a tolerance of +/- 5%

Product Code:  
A1FRSF

Free Area:  
8,000mm<sup>2</sup>

Registered Design 6109960  
Patent Approved

V5i



Intellectual property of Rytons Building Products Ltd. Not to be copied, distributed or reproduced without Rytons written agreement. In case of query email admin@rytons.com.

