

Rytons A1® Fire-rated Return Grille Double Air Brick
Custom RAL colour in matt, semi-gloss or gloss finish achieving Class A2-s1, d0
RAL1019 (Grey beige) matt finish pictured
Registered Design 6078059
Patent Approved
Product Code: A1RGD

RYTONS
www.vents.co.uk
A Family Business
Since 1972



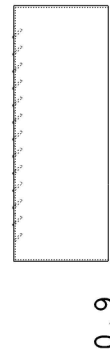
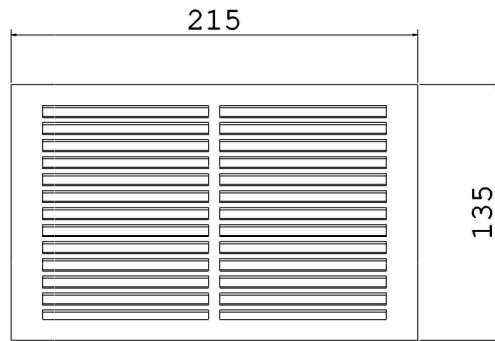
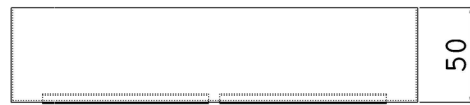
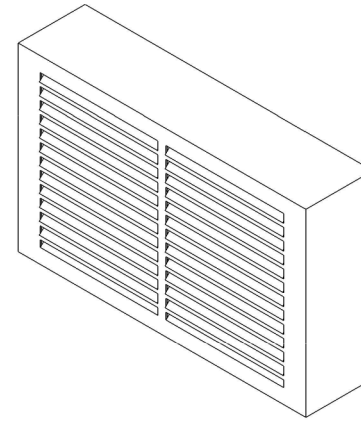
**MADE IN
BRITAIN**



EUROPEAN CLASSIFICATION A1
— NON-COMBUSTIBLE . FIRE SAFE —

DO NOT SCALE

Rytons A1® Fire-rated Return Grille Double Air Brick



Free Area Calculation
90mm x 8mm Return Grille = 720mm ²
x26 Grilles = 18,720mm ²



Rytons A1® Fire-rated Return Grille Double Air Brick

Product Code:
A1RGD

Free Area:
18,720mm²

Registered Design 6078059
Patent Approved

V6i



• Drawings are not to scale • Dimensions are in mm
• Products are hand made and have a tolerance of +/- 5%

Intellectual property of Rytons Building Products Ltd. Not to be copied, distributed or reproduced without Rytons written agreement. In case of query email admin@rytons.com.

